

Robert H Wager Co., Inc.

570 Montroyal Road
 Rural Hall, NC 27045
 Ph: 800-562-7024
 Fx: 336-969-6375
 www.wagerusa.com

134 Series (Standard)

When Ordering, Please Specify:
 Threaded, Butt weld, or Socket weld

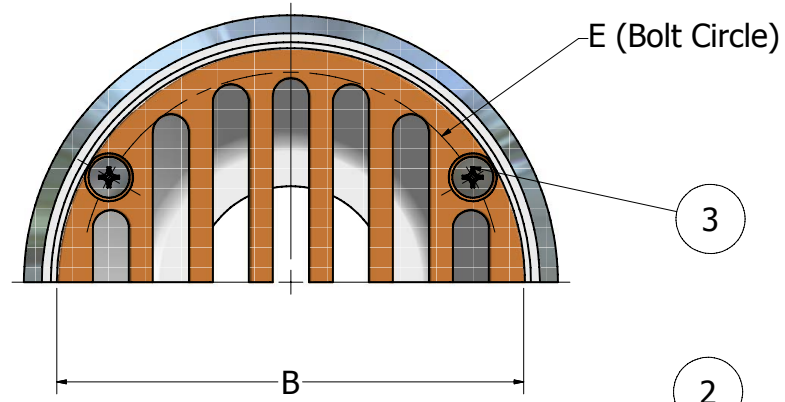
Materials:

1020 Galvanized Steel or
 356-T6 Anodized Aluminum Alloy (1.5" and 2" only)

Note:

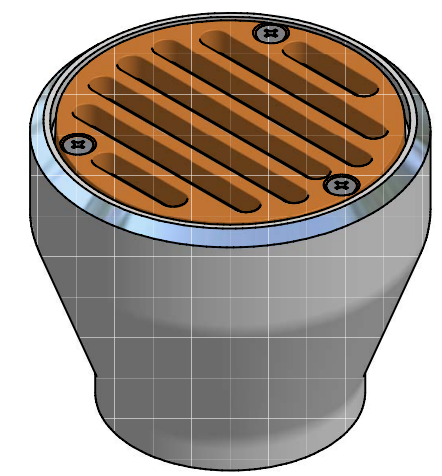
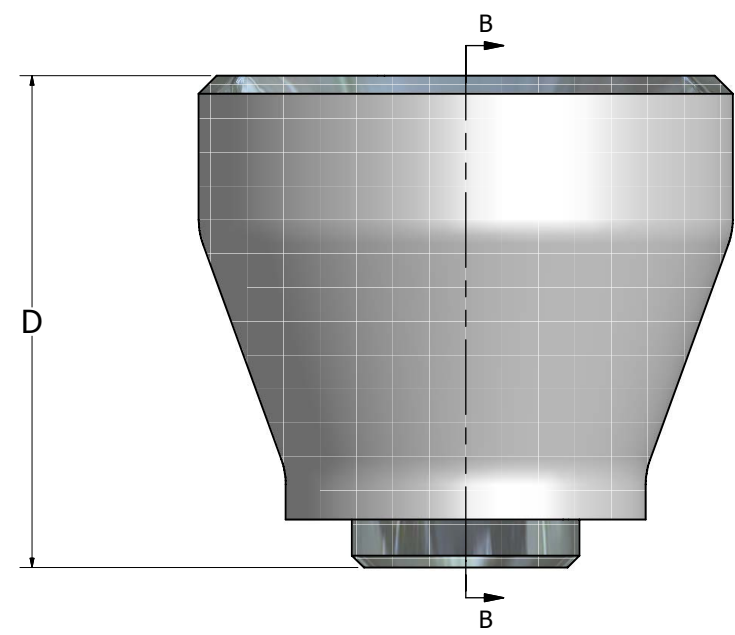
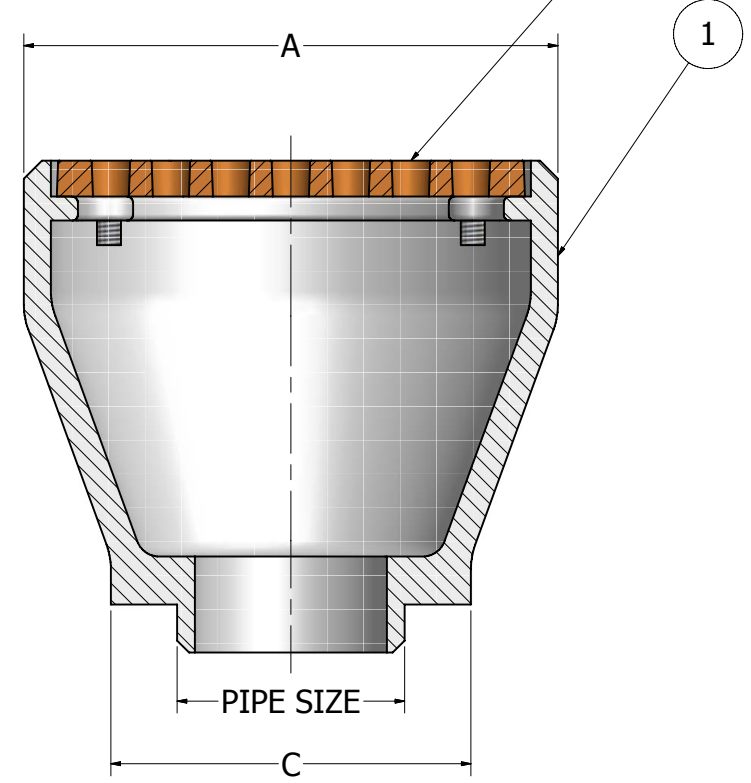
1.5" Aluminum Deck Drain Available in Standard Connections
 2" Aluminum Deck Drain Available in BUTTWELD ONLY

Standard Strainer is 3/8" Thick Bronze (ASTM B62)
 Also Available in 3/16" Thick Stainless Steel (316)



Parts List		
ITEM	QTY	PART NUMBER
1	1	BODY
2	1	STRAINER
3	3*	MOUNTING SCREW

* 6" Has (4) Mounting Screws



SIZE CHART							
SIZE	A	B	C	D	E	LBS.(STL/ALUM)	OPEN AREA RATIO
1.5	4.5	3.875	2.375	4.25	3.375	5 / 3	2.3 to 1
2	4.5	3.875	2.875	4.25	3.375	5 / 3	1.3 to 1
2.5	5.5	4.875	3.75	5.25	4.375	8 / NA	1.7 to 1
3	5.5	4.875	3.75	5.25	4.375	8 / NA	1.2 to 1
4	6.5	5.875	5	5.625	5.250	10.5 / NA	1.0 to 1
6	11.75	10.875	7.5	5.75	10.000	35 / NA	1.3 to 1