

Robert H. Wager Co., Inc.

570 Montroyal Road
 Rural Hall, NC 27045
 Ph: 800-562-7024
 Fx: 336-969-6375
 www.wagerusa.com

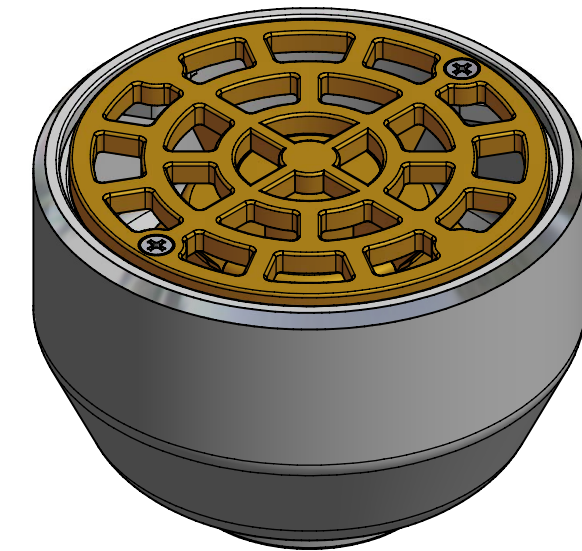
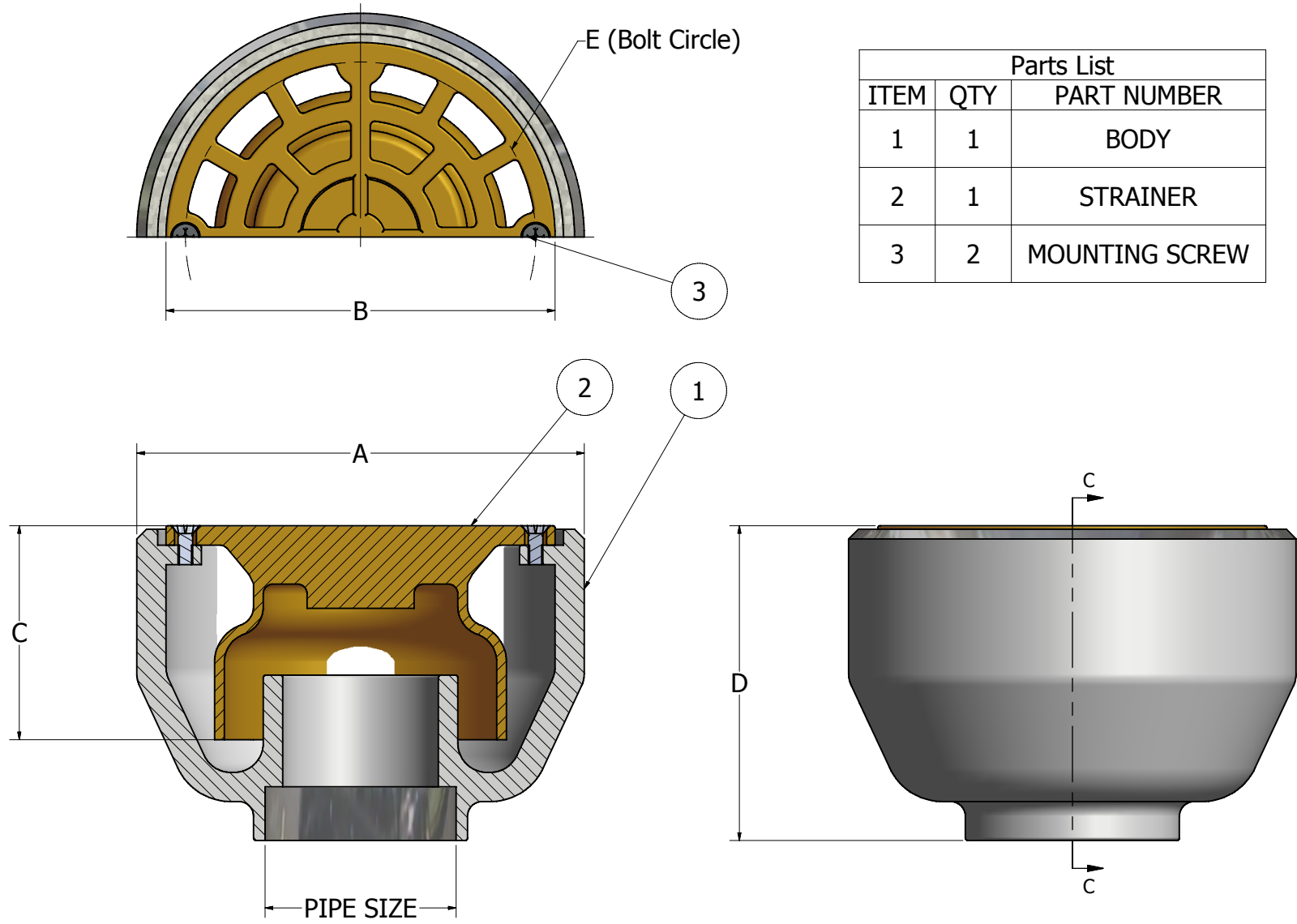
134HW Series (Heavywall)

When Ordering, Please Specify:
 Threaded, Butt weld, or Socket weld

Materials:

1020 Galvanized Steel or
 356-T6 Anodized Aluminum Alloy (1.5" and 2" only)

Parts List		
ITEM	QTY	PART NUMBER
1	1	BODY
2	1	STRAINER
3	2	MOUNTING SCREW



SIZE CHART							
SIZE	A	B	C	D	E	LBS.(STL/ALUM)	OPEN AREA RATIO
1.5	4.875	4.125	2.590	3.875	3.500	7 / 3	1.45 to 1
2	5.750	5.000	2.750	4.000	4.500	10 / 4	1.28 to 1
2.5	6.875	6.125	2.875	4.625	5.438	15 / NA	1.79 to 1
3	7.875	7.125	3.125	5.250	6.438	22 / NA	2.03 to 1