

Robert H. Wager Co., Inc.

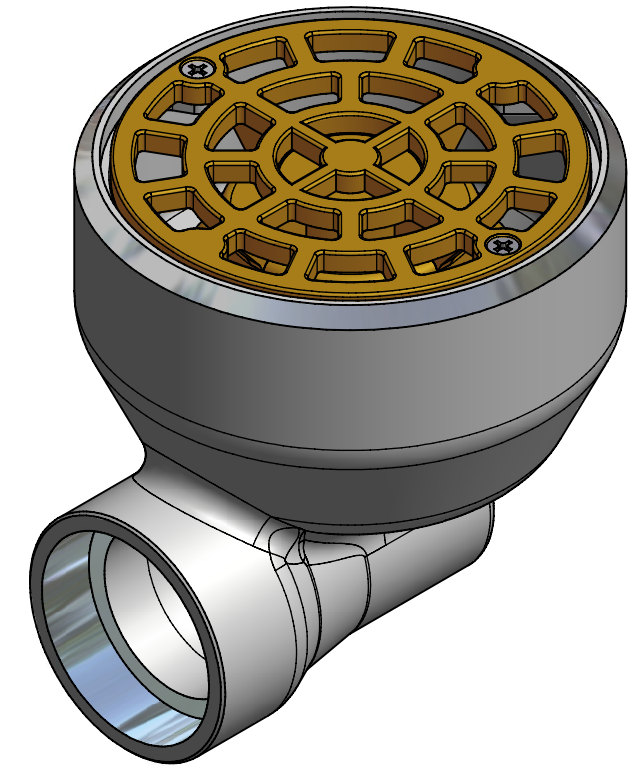
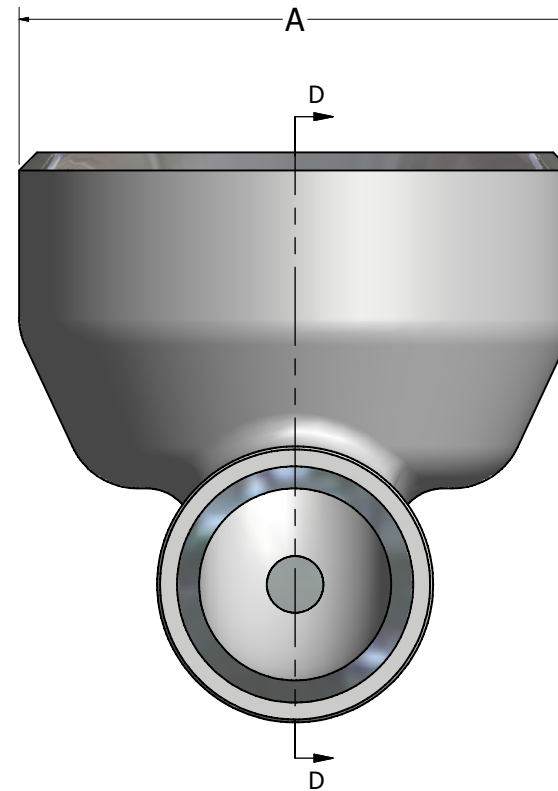
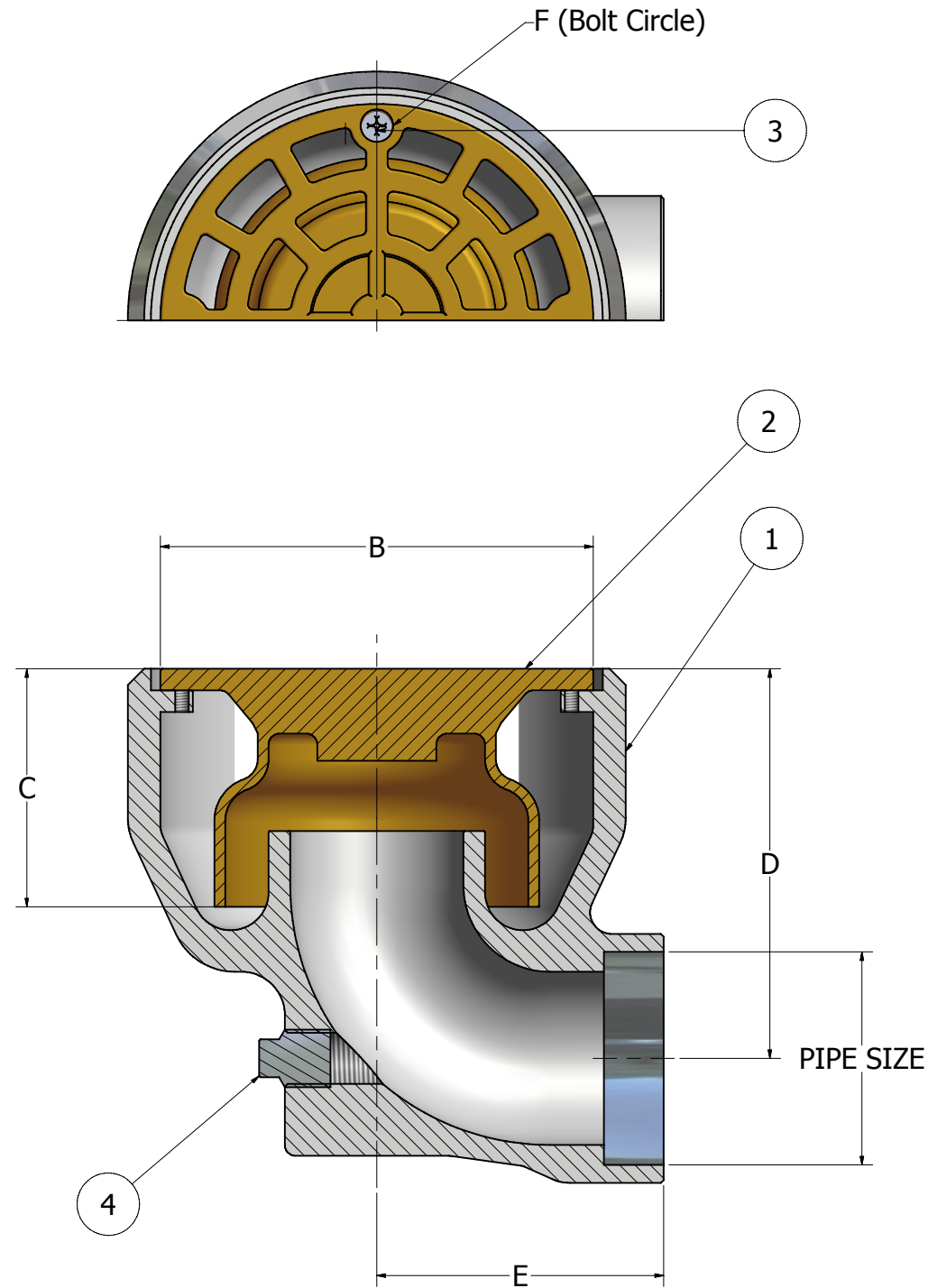
570 Montroyal Road
 Rural Hall, NC 27045
 Ph: 800-562-7024
 Fx: 336-969-6375
 www.wagerusa.com

134HWA Series (Angled Heavywall)

When Ordering, Please Specify:
 Threaded, Butt weld, or Socket weld

Materials:
 1020 Galvanized Steel or
 356-T6 Anodized Aluminum Alloy

Parts List		
ITEM	QTY	PART NUMBER
1	1	BODY
2	1	STRAINER
3	2	MOUNTING SCREW
4	1	PIPE PLUG



SIZE CHART								
SIZE	A	B	C	D	E	F	LBS.(STL/ALUM)	OPEN AREA RATIO
1.5	4.875	4.125	2.590	3.938	2.750	3.500	9.5 / 4.0	1.45 to 1
2	5.750	5.000	2.750	4.375	3.250	4.500	13.3 / 5.3	1.28 to 1