

# UNCONTROLLED COPY

(FOR REFERENCE ONLY)

SECTION A-A  
SCALE 1 : 1

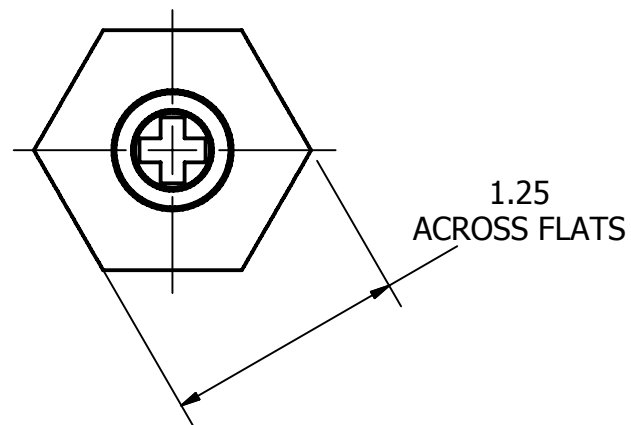
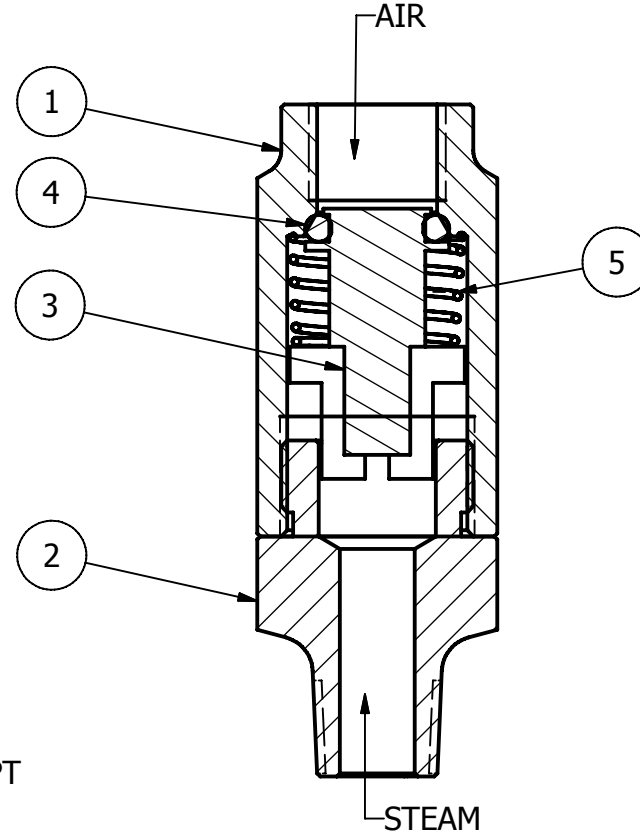
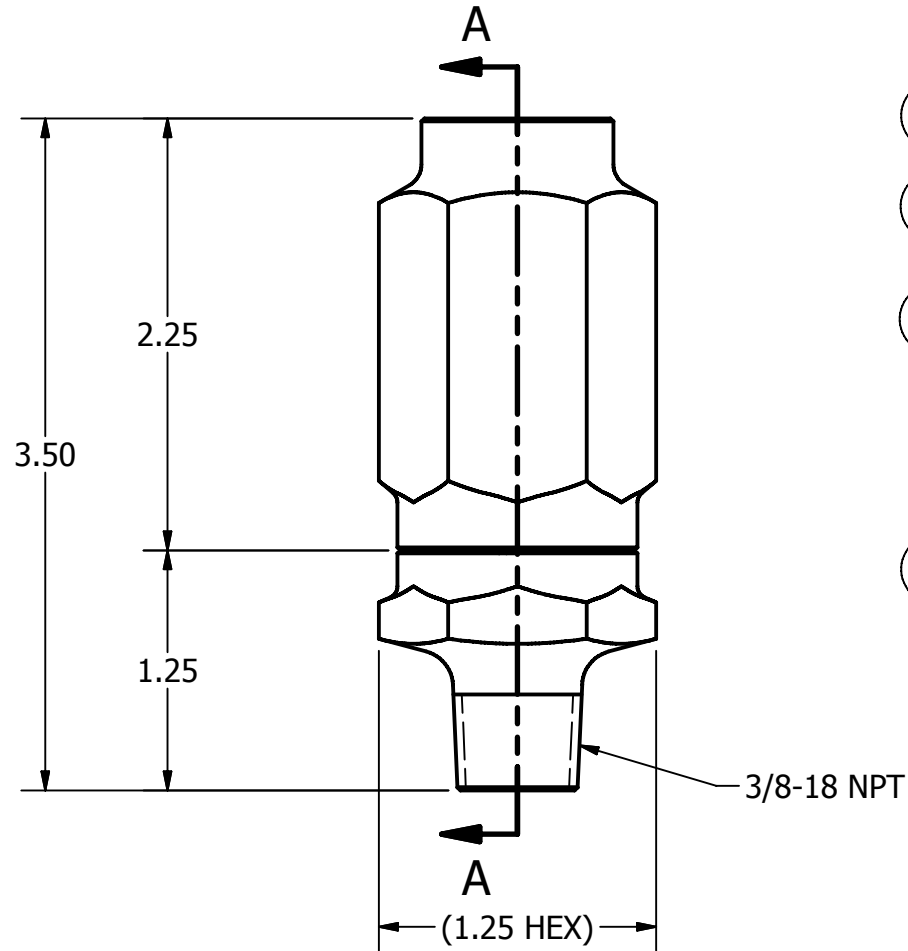
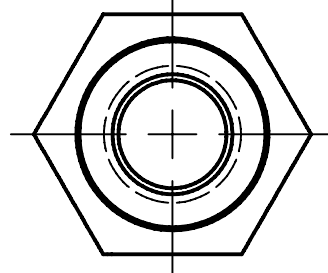
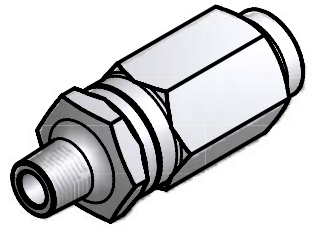
Parts List				
ITEM	QTY	PART NUMBER	DESCRIPTION	MATERIAL
1	1	1-E-SS	VALVE BODY	STAINLESS STEEL
2	1	2-E-SS	VALVE COVER	STAINLESS STEEL
3	1	3-E-SS	STEM	STAINLESS STEEL
4	1	110-17	SPRING	STAINLESS STEEL
5	1	4-E-SS	O-RING	SILICONE

MILITARY PART NUMBER - 000162NAVY

UNLESS OTHERWISE SPECIFIED

- DIMENSIONS ARE IN INCHES
- FILLETS ARE .015" TO .032" R
- BREAK EDGES .02" MAX
- TOLERANCE .02" (2 PLACE DECIMALS)

3/8" AUTOMATIC SPRING CHECK VALVE 1352 HAS BEEN APPROVED AS MEETING THE GRADE A HI-SHOCK REQUIREMENTS IN ACORDANCE WITH MIL-S-901C(NAVY) ON THE BASIS OF LOCKHEED ELECTRONICS COMPANY TEST REPORT 1274-4407 DATED 9 SEPT. 1965 AND IS APPROVED FOR NAVAL USE BY NAVSEC LETTER 9510-SER 651E-1223 DATED 10 NOV. 1965



VALVE SHOWN IN CLOSED POSITION

DRAWN jledbetter	9/15/2004	ROBERT H. WAGER CO., INC.		
CHECKED		TITLE		
QA		3/8" AUTOMATIC SPRING CHECK VALVE (SCAVENGER AIR VALVE) FOR SOOTBLOWERS		
MFG		SIZE	DWG NO	REV
APPROVED		B	1352-SS-O	
CAGE CODE	79128	SCALE	SHEET 1 OF 1	