

Robert H. Wager co., Inc.

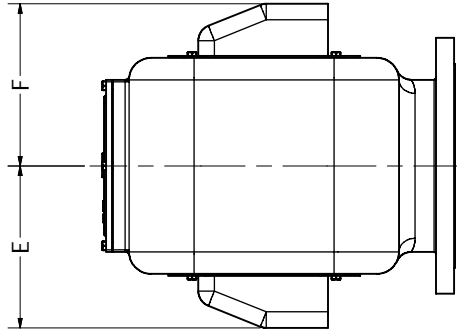
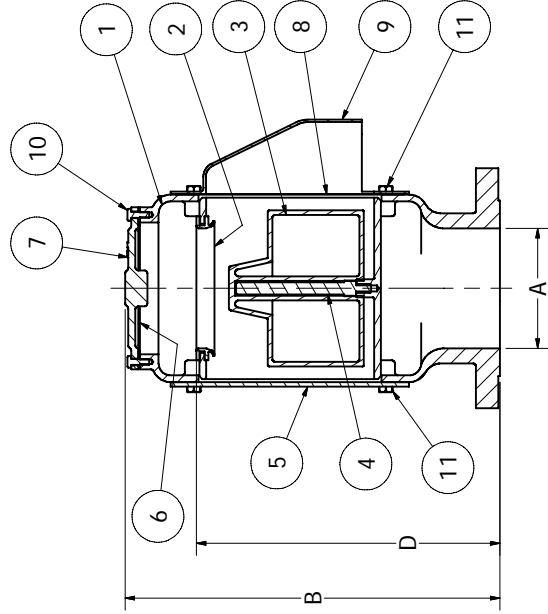
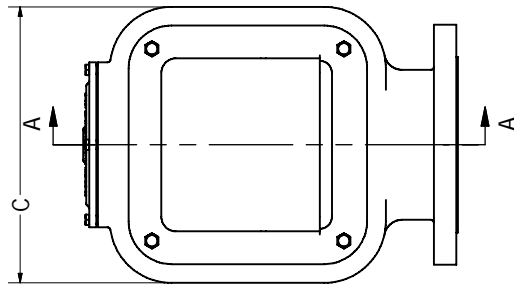
570 Montroyal Road
 Rural Hall, NC 27045
 Ph: 800-562-7024
 Fx: 336-969-6375
 www.wagerusa.com

1500 Series - Vent Outlet Closing Device

When Ordering, Please Specify:
 Body Material and Connection

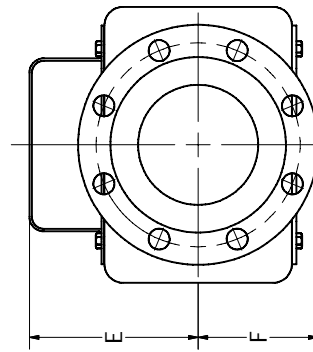
Body Materials:
 Galvanized Steel (1020)
 Stainless Steel (316)

Connections:
 Flanged
 Butt weld (1.5"-6" Only)
 Threaded (1.5"- 6" Only)



1500-10 (DOUBLE COVER)

Weight Listed in Lbs.



Sizing Chart

A	B	C	D	E	F	WEIGHT
1.5	11	7	9	4 1/8	2 7/8	28
2	11	7	9	4 1/8	3	30
2.5	11	7	9	4 1/8	3 1/2	32
3	13 5/8	9 1/2	11 1/4	5 5/8	3 3/4	56
4	13 5/8	9 1/2	11 1/4	5 5/8	4 1/2	60
5	15 5/8	11 1/2	12 5/8	7	5	83
6	18 1/2	14	15 1/8	8 1/4	5 1/2	125
8	22 1/4	17	18 1/2	10 5/8	6 3/4	190
10	22	21 3/8	16 3/4	10 1/8	10 1/8	235

Parts List		
ITEM	NAME OF PART	QTY
1	Valve Housing	1
2	Seat	1
3	Float Disc	1
4	Guide Rod	1
5	Cover Plate	1
6	Cap Gasket	1
7	Valve Cap	1
8	Flame/Bug Screen	1
9	Cover	1
10	Cap Bolt	8
11	Cover Bolt	8

For Reference Only
 Do Not Use For Engineering Purposes

Robert H. Wager co., Inc.

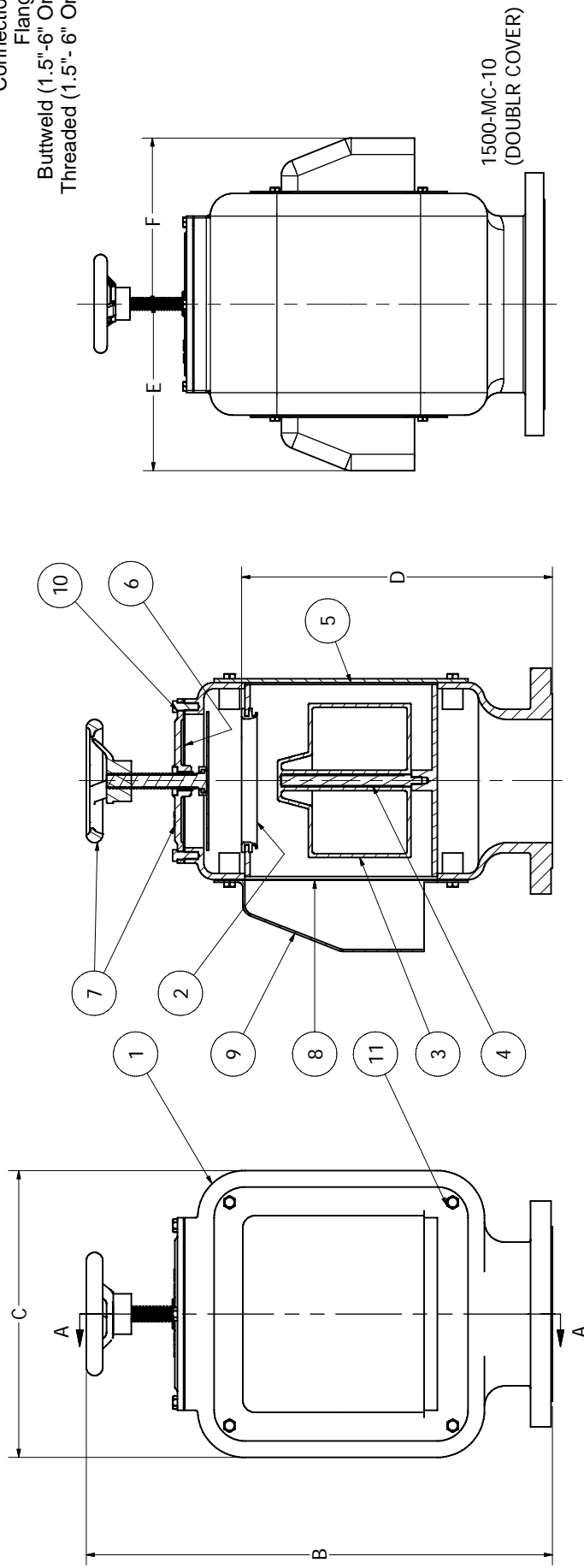
570 Montroyal Road
 Rural Hall, NC 27045
 Ph: 800-562-7024
 Fx: 336-969-6375
 www.wagerusa.com

1500-MC Series - Vent Outlet Closing Device

When Ordering, Please Specify:
 Body Material and Connection

Body Materials:
 Galvanized Steel (1020)
 Stainless Steel (316)

Connections:
 Flanged
 Butt weld (1.5"-6" Only)
 Threaded (1.5"-6" Only)

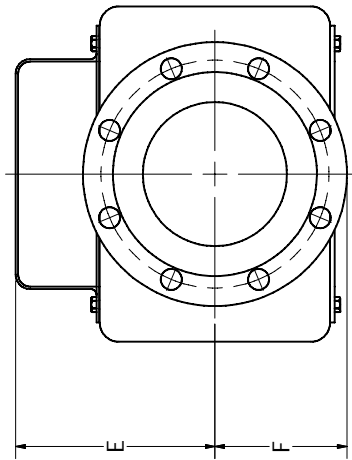


SECTION A-A

WEIGHT LISTED IN LBS. FOR FLANGED CONNECTION

SIZING CHART						
A	B	C	D	E	F	WEIGHT
1.5	13 1/4	7	9	4 1/8	2 7/8	34
2	13 1/4	7	9	4 1/8	3	36
2.5	13 1/4	7	9	4 1/8	3 1/2	38
3	17	9 1/2	11 1/4	5 5/8	3 3/4	60
4	17	9 1/2	11 1/4	5 5/8	4 1/2	65
5	19 1/4	11 1/2	12 5/8	7	5	87
6	22 3/4	14	15 1/8	8 1/4	5 1/2	129
8	26 3/4	17	18 1/2	10 5/8	6 3/4	195
10	27 1/2	21 3/8	16 3/4	10 5/8	10 1/8	240

Parts List		
ITEM	NAME OF PART	QTY
1	Valve Housing	1
2	Valve Seat	1
3	Float Disc	1
4	Guide Rod	1
5	Cover Plate	1
6	Cap Gasket	1
7	Manual Closing Assy.	1
8	Flame/Bug Screen	1
9	Cover	1
10	Cap Bolt	8
11	Mounting Bolt	8



FOR REFERENCE ONLY
 DO NOT USE FOR ENGINEERING PURPOSES