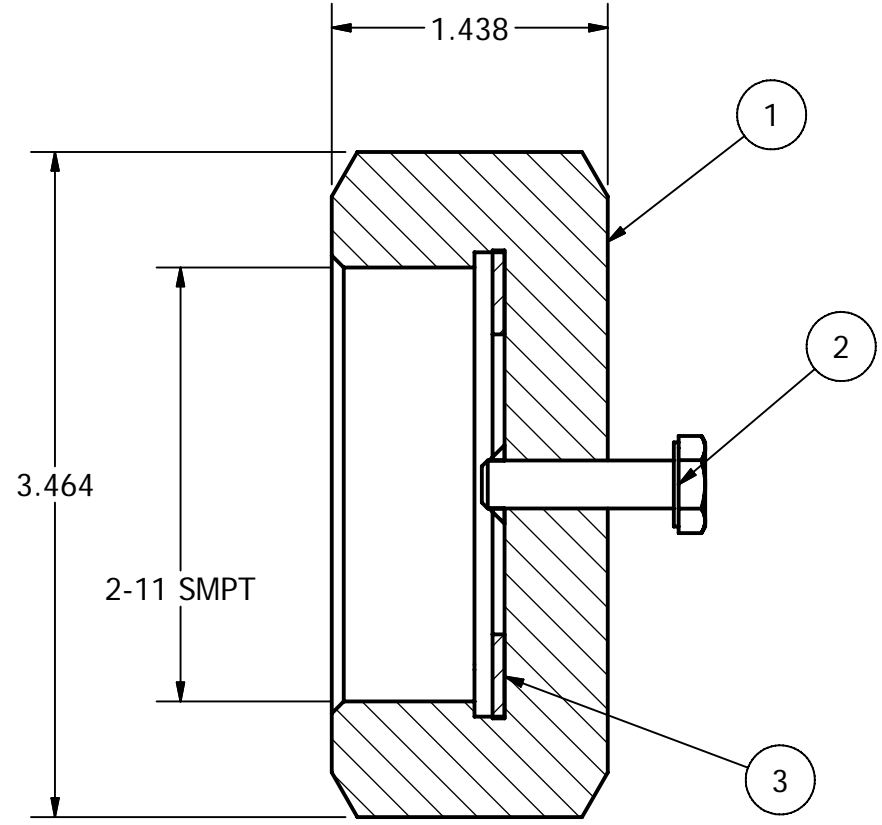
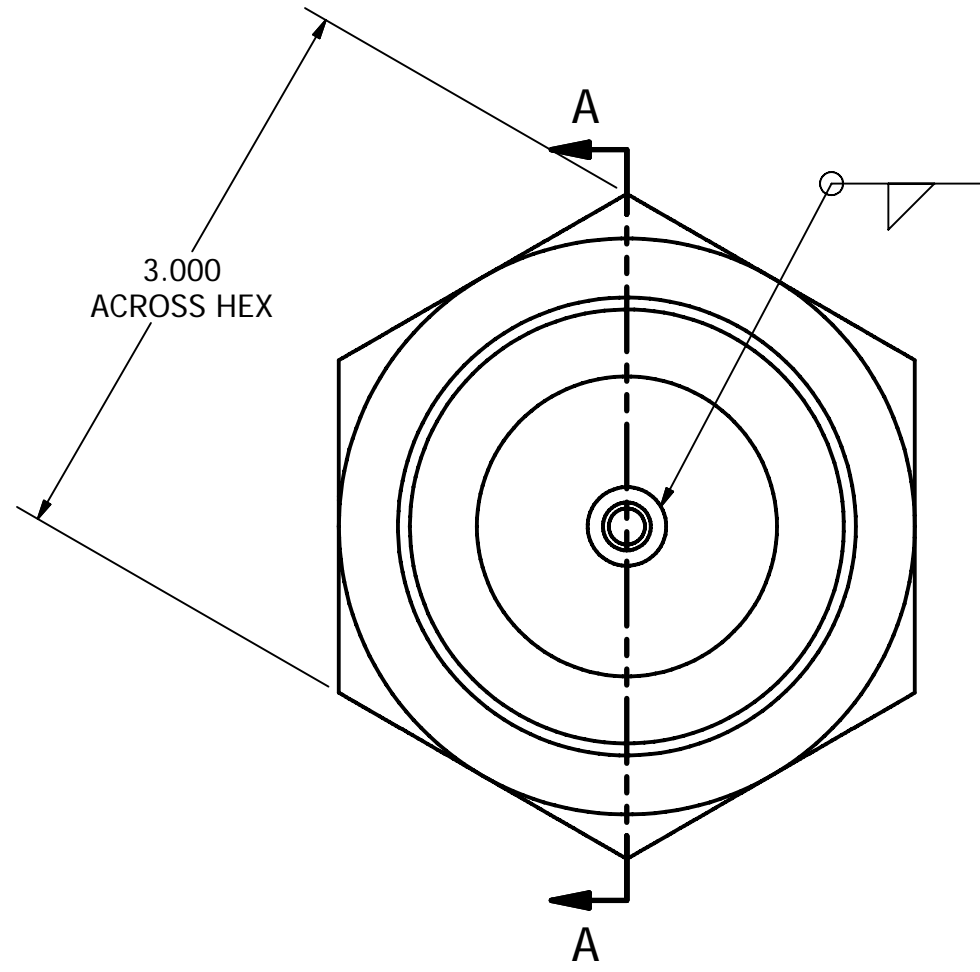
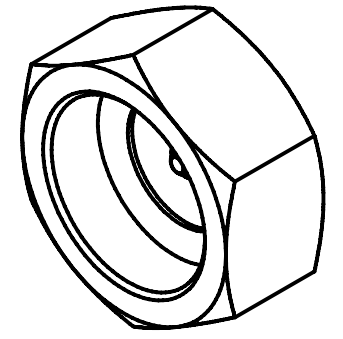


Parts List					
ITEM	QTY	PART NUMBER	NAME OF PART	DESCRIPTION	MATERIAL
1	1	CAP-2B	PIPE CAP		BRONZE
2	1	BOLT-1/4-1B	CHAIN BOLT	1/4-20 x 1" HEX HEAD BOLT	NAVY BRASS
3	1	CAP-2G	CAP GASKET	1/16" THICK	NEOPRENE
4	1	CHAIN-B	TEATHER CHAIN	15" LONG (NOT SHOWN)	BRASS



SECTION A-A  
SCALE 1 : 1

DRAWN LEDBETTER	1/25/2008	ROBERT H. WAGER CO., INC.		
CHECKED		TITLE		
QA		SOUNDING PIPE CAP - 2"		
MFG		SIZE B	DWG NO CAP-2B	REV
APPROVED		SCALE		SHEET 1 OF 1