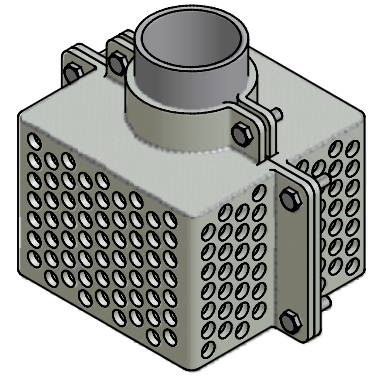
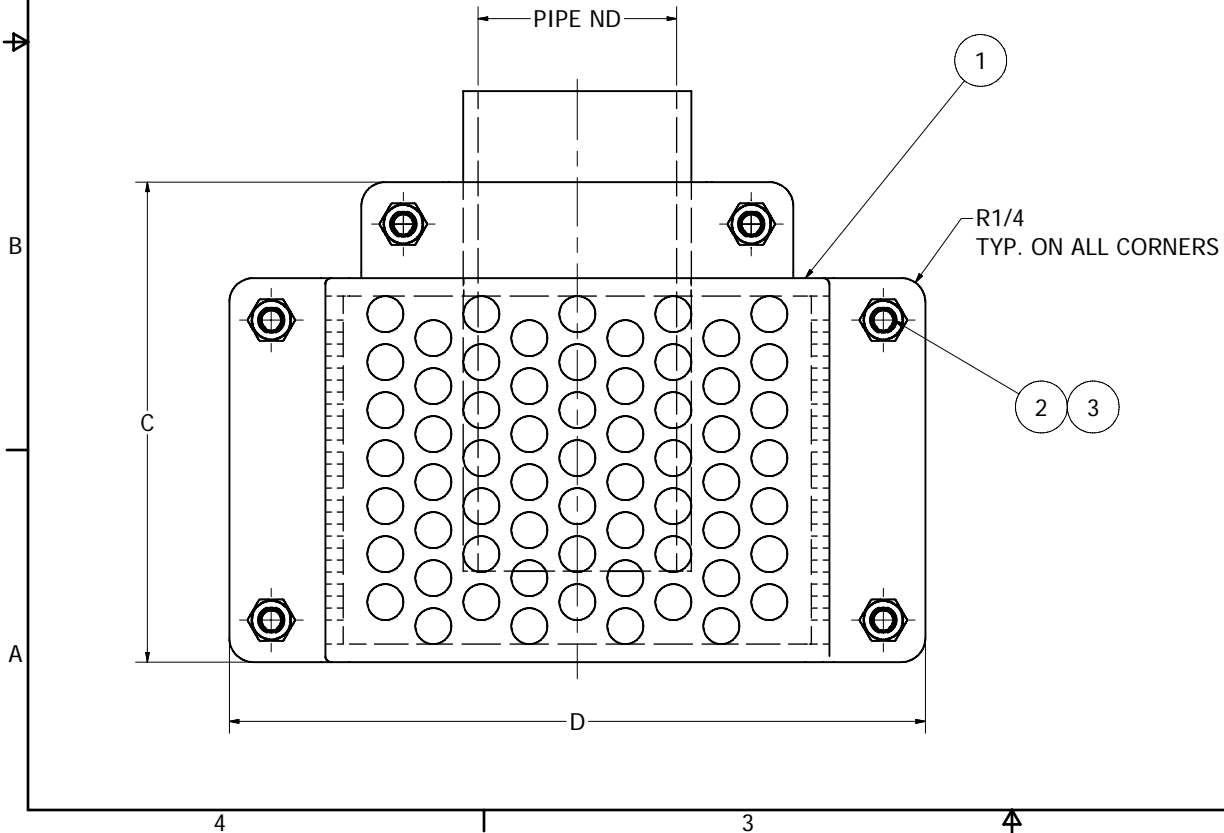


PARTS LIST				
ITEM	QTY	DESCRIPTION	MATERIAL	COMMENTS
1	2	PERFORATED BOX	Galvanized Steel	3/8" DIA. STAGGARD HOLES
2	6	ASSEMBLY BOLT	Stainless Steel	
3	6	HEX NUT	Stainless Steel	

DIMENSION TABLE				
PIPE ND	A	B	C	D
2	6.00	6.00	5.00	7.25
2.5	6.00	6.00	5.00	7.25
3	6.00	6.00	5.00	7.25
4	11.50	11.50	13.50	13.50
5	11.50	11.50	13.50	13.50
6	11.50	11.50	13.50	13.50
8	15.00	15.00	18.00	18.00
10	15.00	15.00	18.00	18.00
12	15.00	15.00	18.00	18.00



DRAWN	ledbetter	3/13/2007	ROBERT H. WAGER CO., INC.	
CHECKED			TITLE	
QA			SUCTION STRAINER	
MFG			SIZE	DWG NO
APPROVED			C	SRS CUT SHEET
			SCALE	REV
				SHEET 1 OF 1