

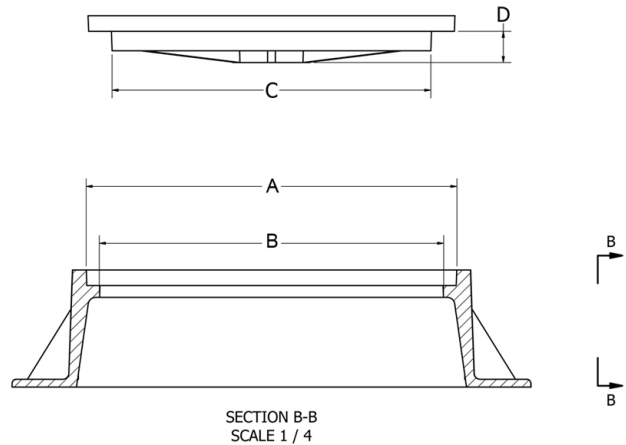
WAGER 3000 MANHOLE SCRUBBER

Let us size your Manhole Scrubber today! Simply complete the form below and fax to Wager (336) 969-5314, Attention: Sewer Venting Division.

Name: _____
Date: _____
Phone: _____
Fax: _____
Email: _____

Required Measurements

- A:** Manhole Frame Diameter (flat bearing surface)
- B:** Inside Frame Diameter (clear opening)
- C:** Drop Ring Diameter
- D:** Drop Ring Depth (from cover underside, outside edge)



Foundry & Casing #	Required Measurements				Qty
	A	B	C	D	
(example)	25"	24-1/4"	22"	2"	10



Robert H. Wager Company, Inc. 570 Montroyal Rd. Rural Hall, NC 27045
 1-800-562-7024 (336) 969-6909 www.wagerusa.com