

FOR REFERENCE ONLY

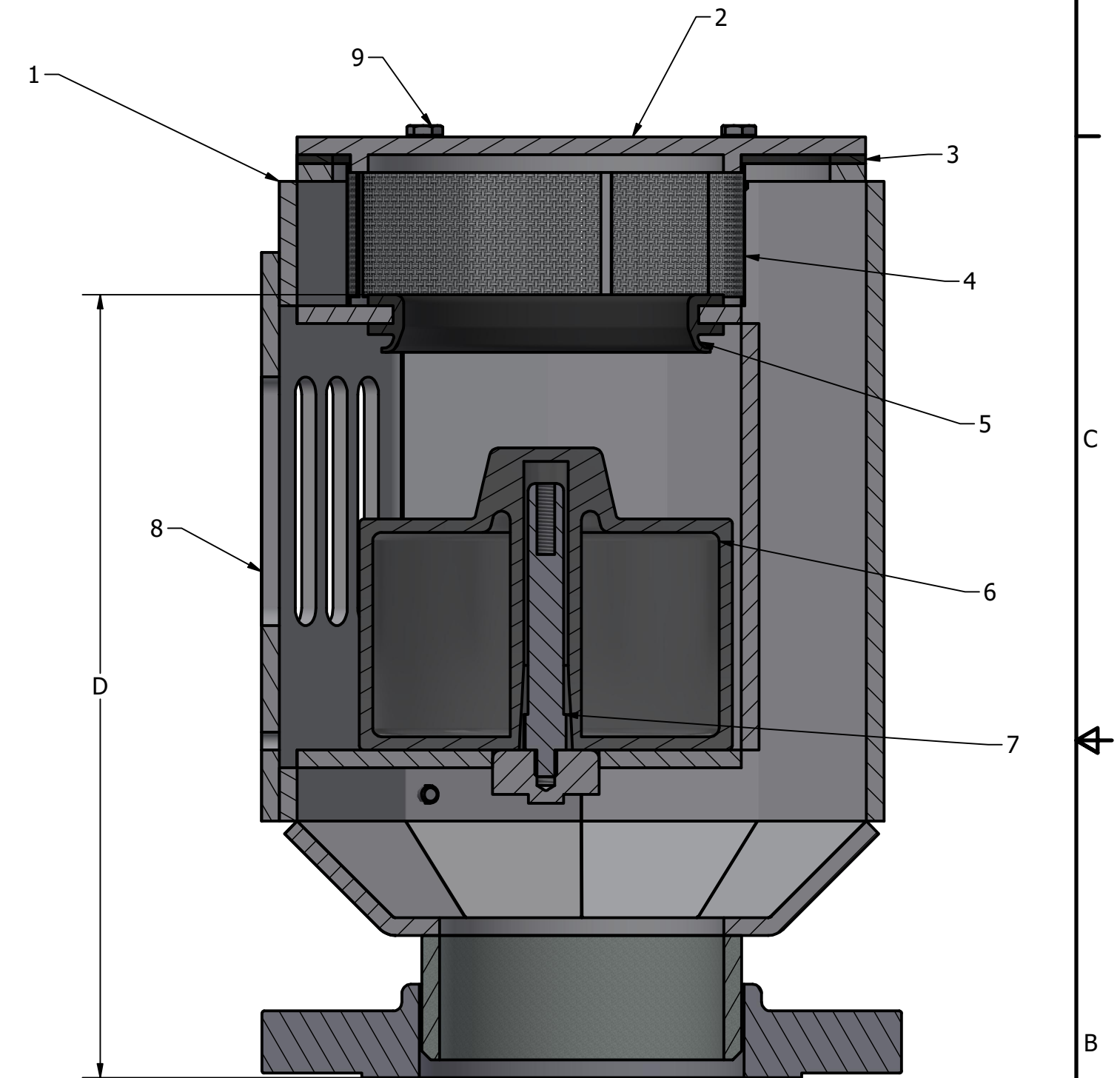
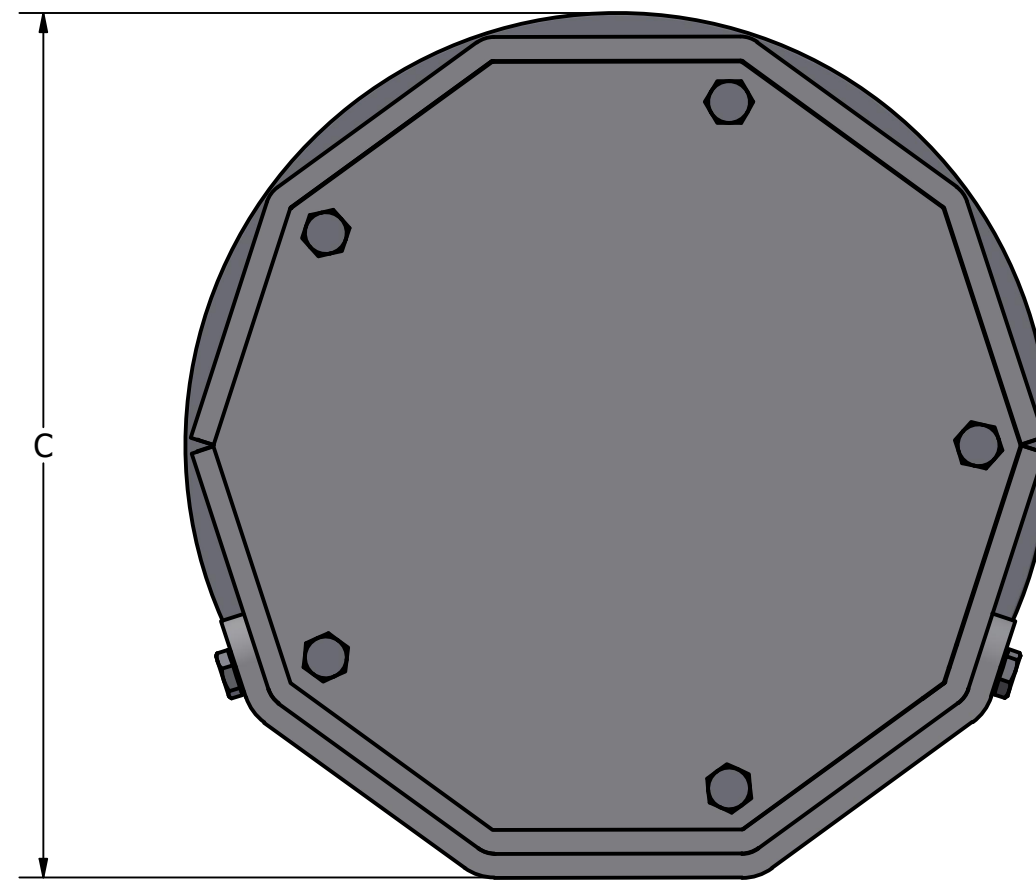
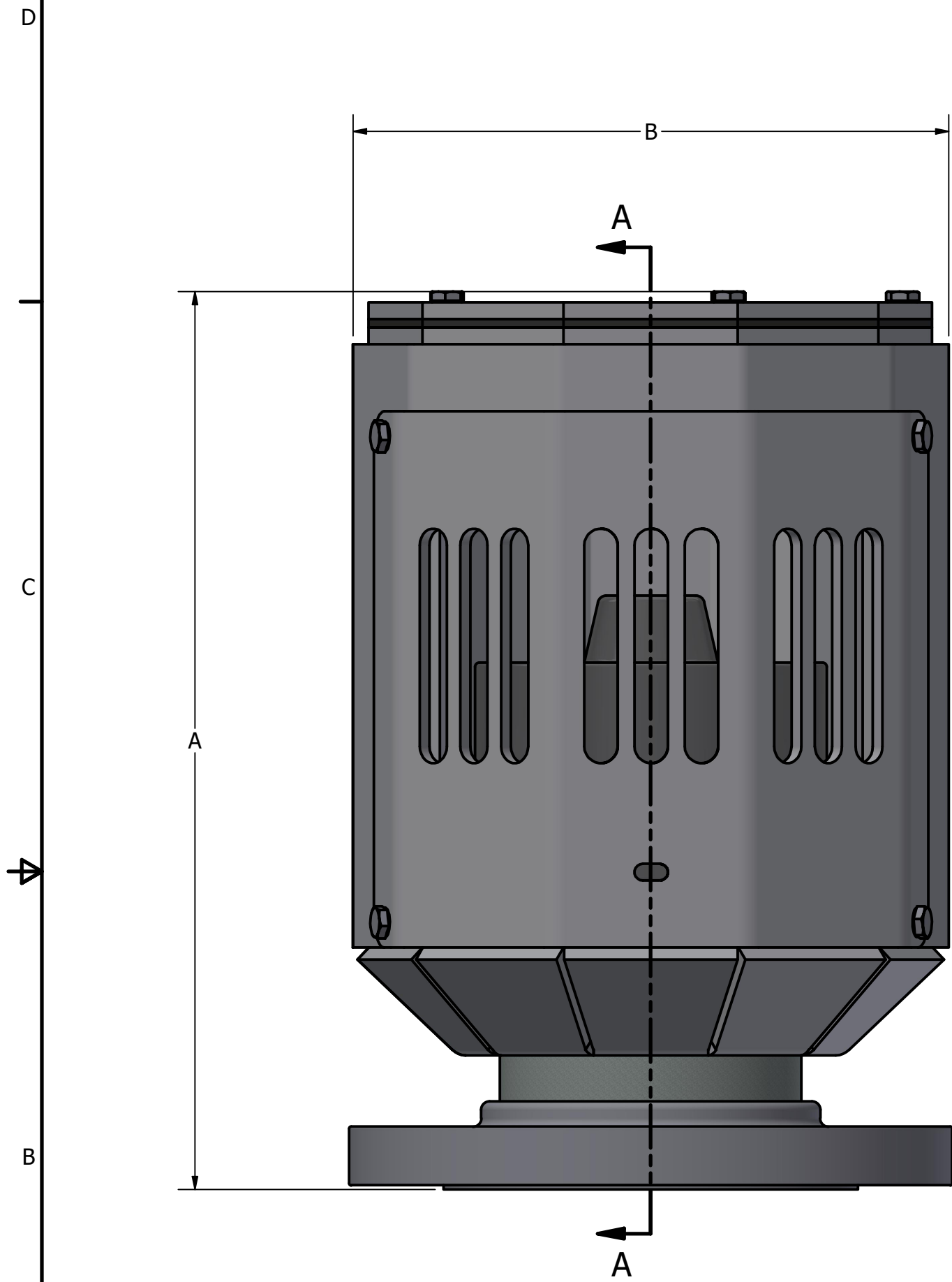
1550-1 SERIES

VERTICAL VENT CHECK VALVE
CYLINDRICAL, FABRICATED

CURRENTLY UNDER ABS REVIEW FOR TYPE APPROVAL

AVAILABLE IN:
STEEL(GALVANIZED)
ALUMINUM(ANODIZED)
316 SS

SIZE RANGE:
1.5" - 4"



PARTS LIST		
#	QUANTITY	NAME
1	1	BODY
2	1	CAP
3	1	CAP GASKET
4	1	SCREEN
5	1	SEAT
6	1	FLOAT
7	1	GUIDE ROD *
8	1	COVER
9	9	BOLT

*1.5" MODEL USES BALL FLOAT
NO GUIDE ROD NECESSARY

* HEIGHTS MAY VARY DEPENDING UPON CONNECTION

SIZE	TABLE			
	HEIGHT (A)	WIDTH (B)	DEPTH (C)	BREACH POINT (D)
1.5	8.23	4.94	5.03	6.85
2	10.44	6.41	6.04	8.90
2.5	10.88	6.75	6.99	9.25
3	12.31	7.45	7.54	10.43
4	13.38	8.89	9.01	11.01