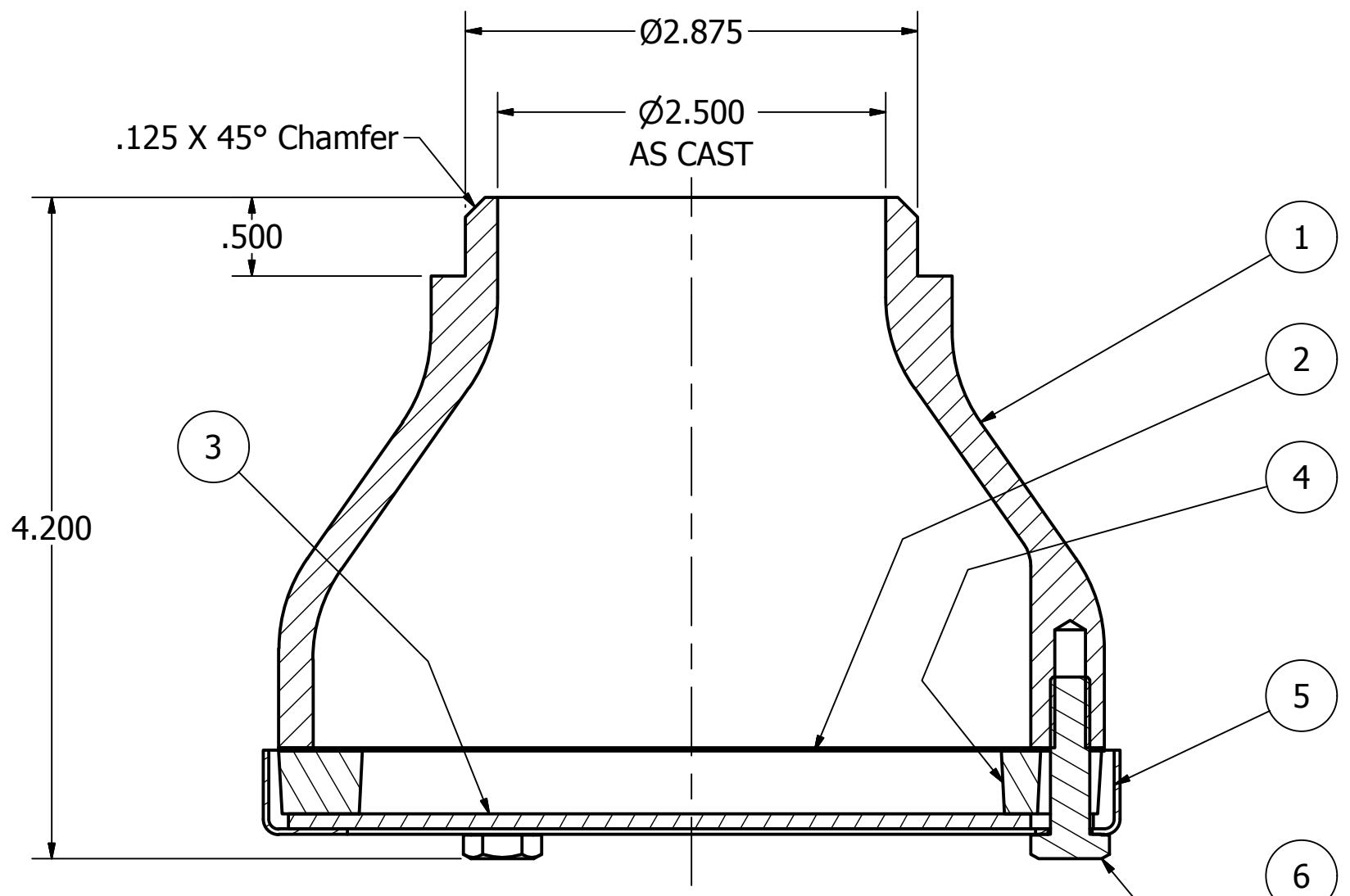
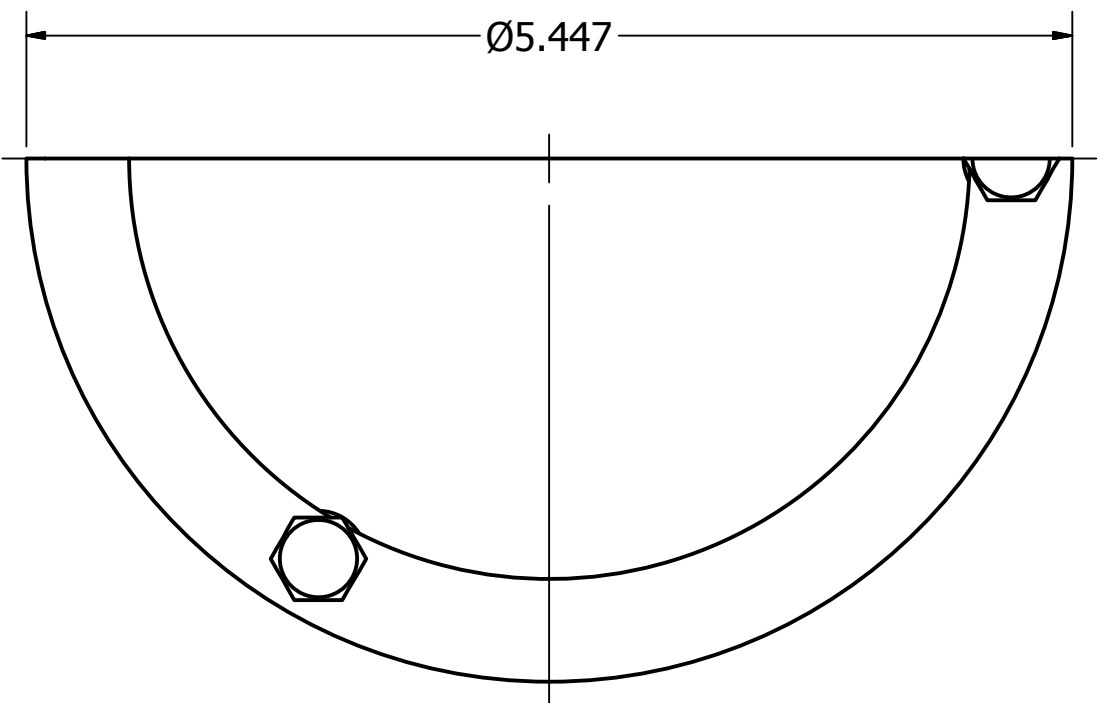
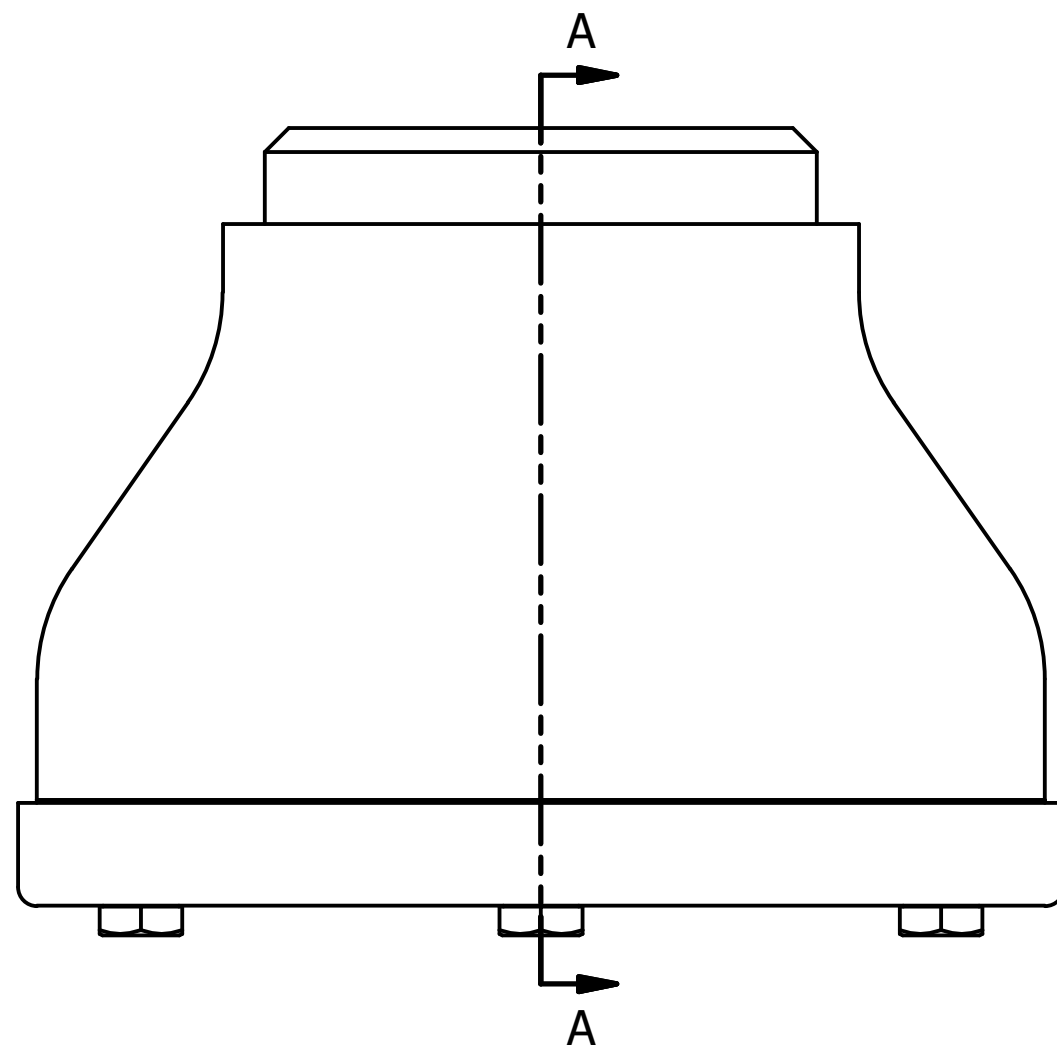


PARTS LIST					
ITEM	QTY	NAME OF PART	PART NUMBER	DESCRIPTION	MATERIAL
1	1	VALVE HOUSING	1600-2.5SWF	CAST, GALVANIZED	1020 STEEL
2	1	FLAME/BUG SCREEN	SCRN-2.5-30SS	30 x 30 MESH	316SS
3	1	PROTECTIVE SCREEN	SCRN-2.5-1/4SS	1/4 X 1/4 MESH	316SS
4	1	SPACER RING	SR-2.5-B	.500 THICK	CAST BRONZE
5	1	VALVE CAP	1612SS	STAMPED	316SS
6	3	CAP BOLT	BOLT-1/4-1	1/4-20 x 1" HEX HEAD	316SS



SECTION A-A
SCALE 1 : 1



DRAWN jledbetter	11/13/2009	ROBERT H. WAGER CO., INC.		
CHECKED		TITLE		
QA		TANK AIR ESCAPE - 2.5" BUTTWELD		
MFG		SIZE C	DWG NO 2.5-1600WSG	REV
APPROVED		SCALE	SHEET 1 OF 1	