

Robert H Wager Co., Inc.

570 Montroyal Road
 Rural Hall, NC 27045
 Ph: 800-562-7024
 Fx: 336-969-6375
 www.wagerusa.com

1700 Series (w/ Half Float)

When Ordering, Please Specify:
 Body Material, Connection, and Float Material

Body Materials:

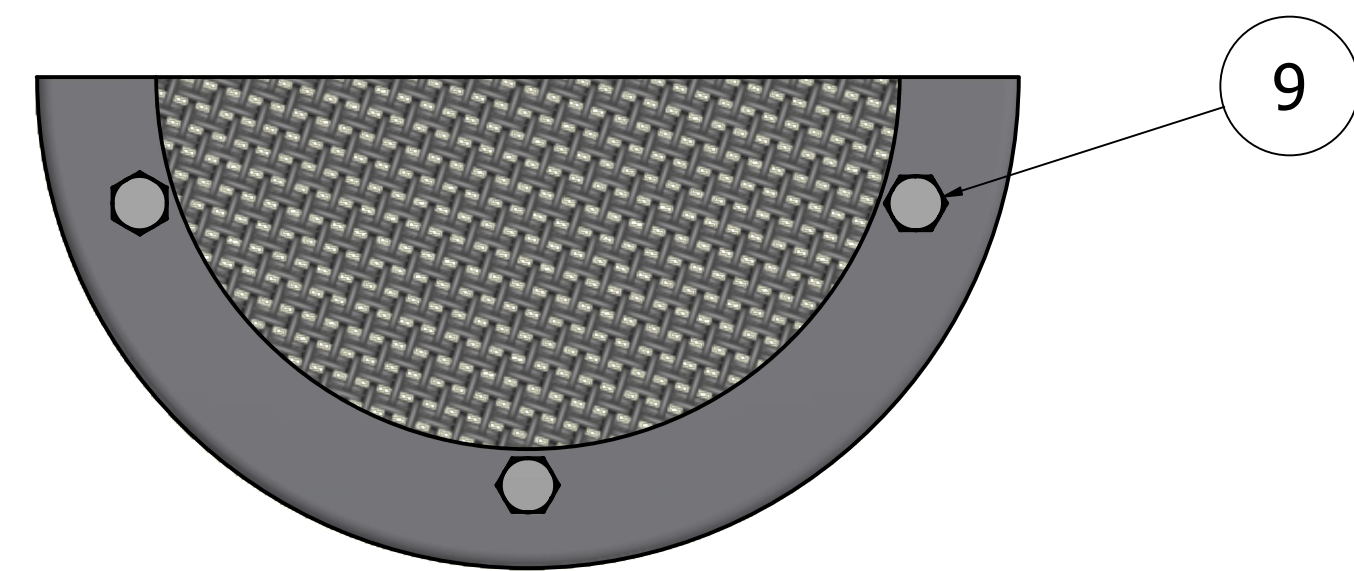
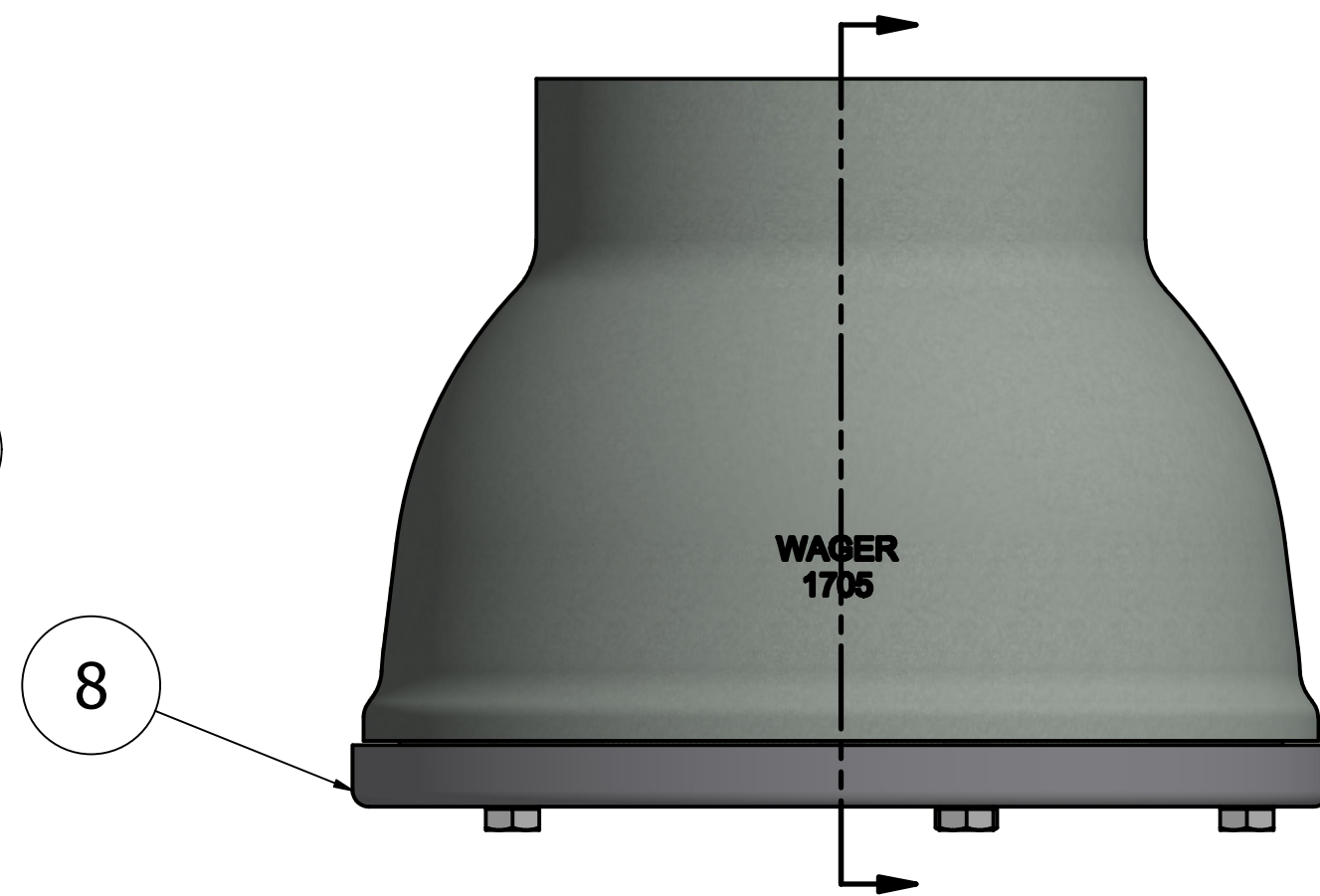
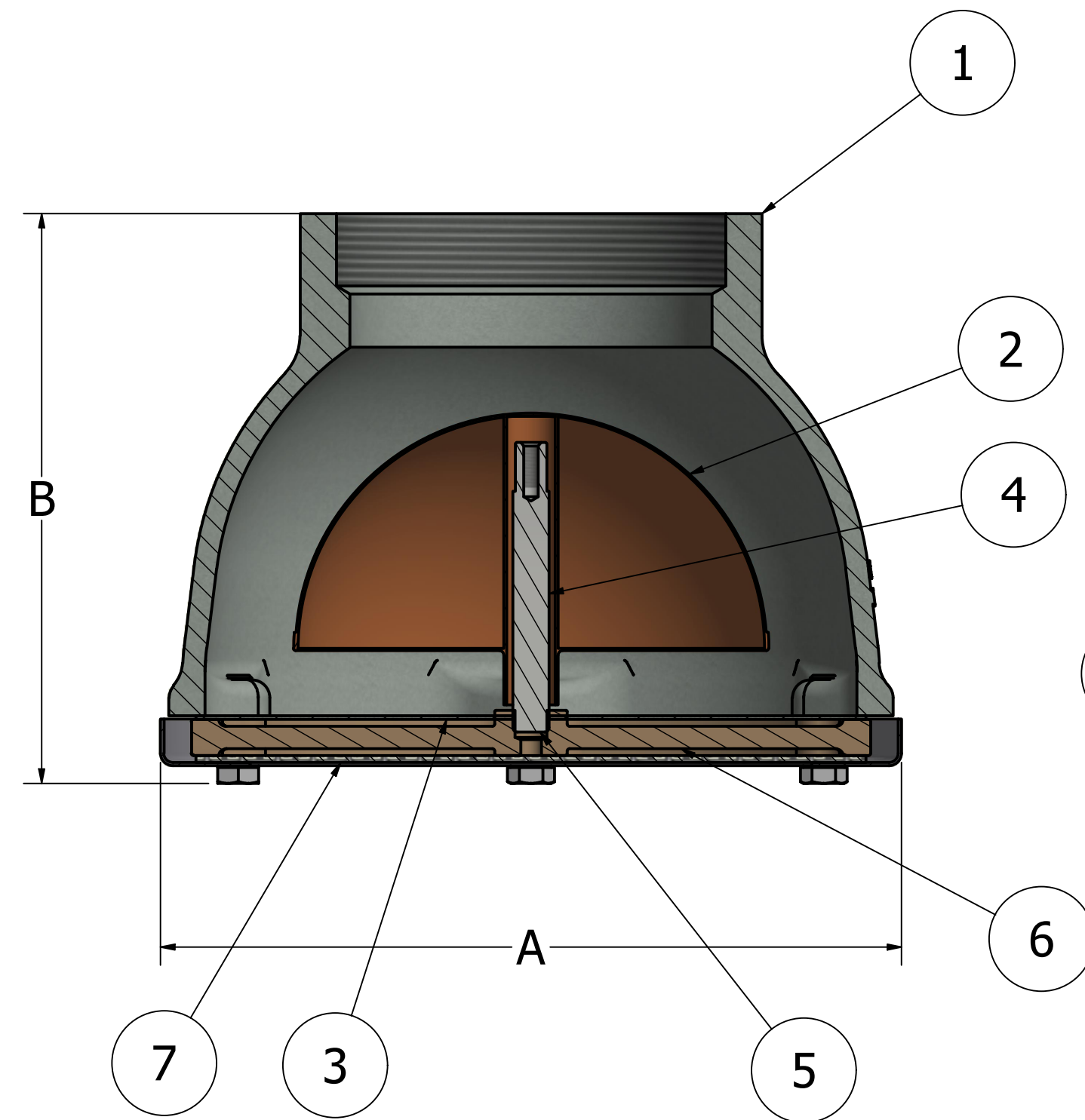
- 1020 Galvanized Steel (Standard)
- Bronze (ASTM-B62)
- Stainless Steel (316)
- Anodized Aluminum (356-T6)

Float Materials:

- 316 Stainless Steel (Standard)
- Copper
- High Density Polyethylene (Plastic)
- Monel

Connections:

- Threaded (NPT Standard)
- Buttweld (Steel & Stainless Only)
- Socketweld (Steel, Stainless, & Alum. Only)
- Flanged(ANSI 150lb Standard)
- Sil-Brazed (Bronze Only)



Parts List			
ITEM	QTY	NAME OF PART	STANDARD MATERIAL
1	1	BODY	1020 Galvanized Steel
2	1	FLOAT	Stainless Steel
3	1	FLAME SCREEN	Stainless Steel
4	1	GUIDE ROD	Stainless Steel
5	1	G.R. MOUNTING BOLT	Stainless Steel
6	1	FLOAT SUPPORT	Bronze
7	1	PROTECTIVE SCREEN	Stainless Steel
8	1	RETAINER CAP	Stainless Steel
9	5*	CAP MOUNTING BOLT	Stainless Steel
8	1	1705STF	

Parts List							
SIZE	A	B	C	WEIGHT	W/ FLNG	HOLES	HOLE SIZE
5	10.125	7.750	8.625	27 (LB.)	42 (LB.)	8	.875
6	11.634	8.750	9.750	35	54	8	.875
8	14.536	9.750	10.875	62	88	8	.875
10	17.200	12.595	14.000	78	115	12	1.000
12	23.800	15.250	16.875	195	260	12	1.000
14	30.250	18.500	20.125	285	370	12	1.125
16	30.250	18.500	20.375	265	360	16	1.125

* 5" HAS (5) MOUNTING BOLTS
 6" & 8" HAVE (6) MOUNTING BOLTS
 10" THRU 16" HAVE (8) MOUNTING BOLTS