

Robert H Wager Co., Inc.

570 Montroyal Road
 Rural Hall, NC 27045
 Ph: 800-562-7024
 Fx: 336-969-6375
 www.wagerusa.com

1700 Series (w/ full float)

When Ordering, Please Specify:
 Body Material, Connection, and Float Material

Body Materials:

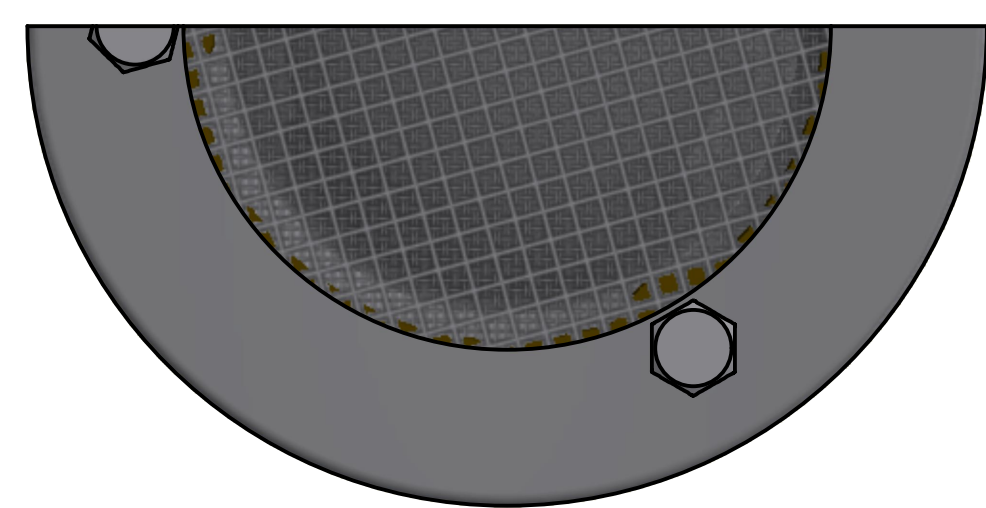
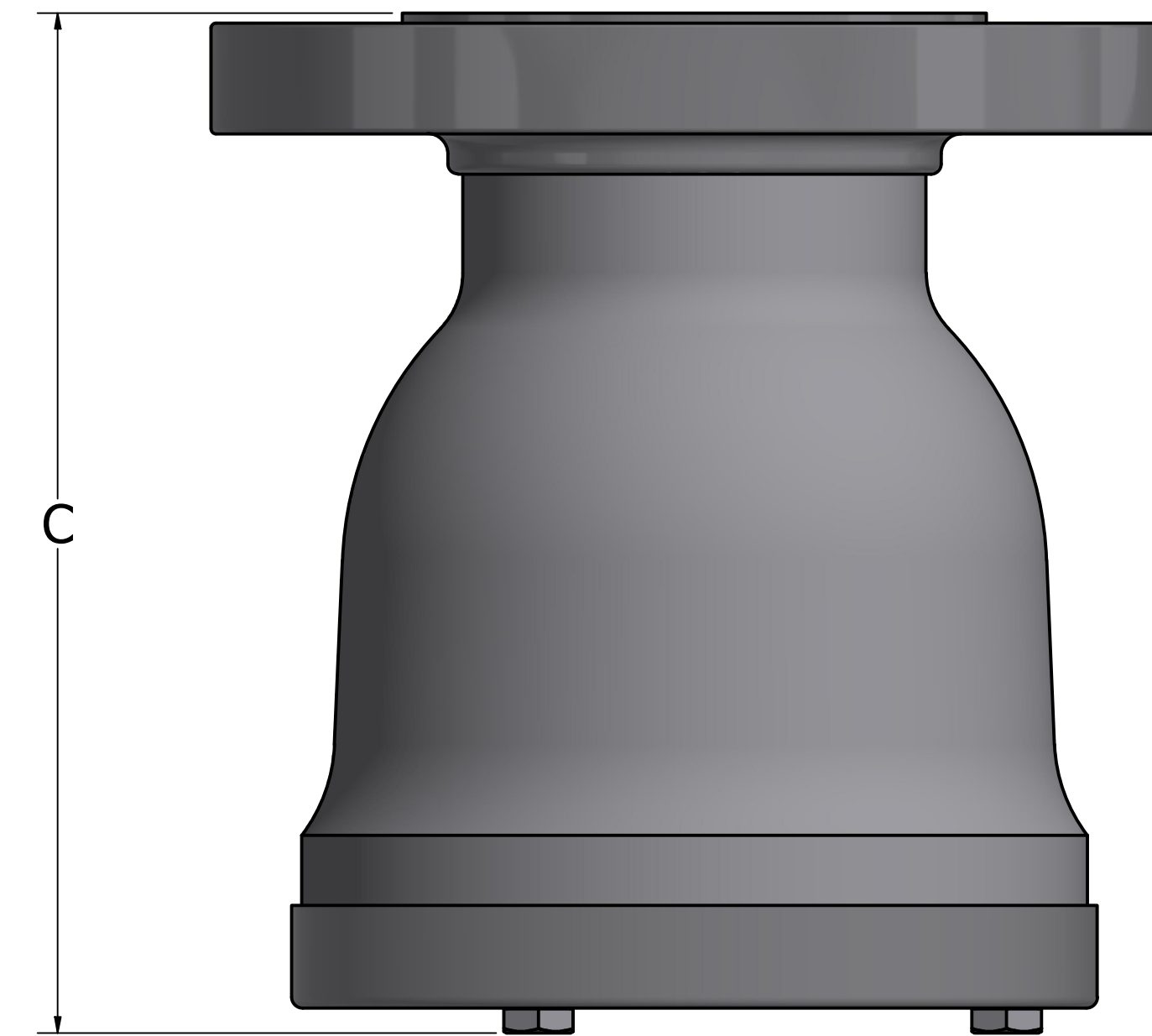
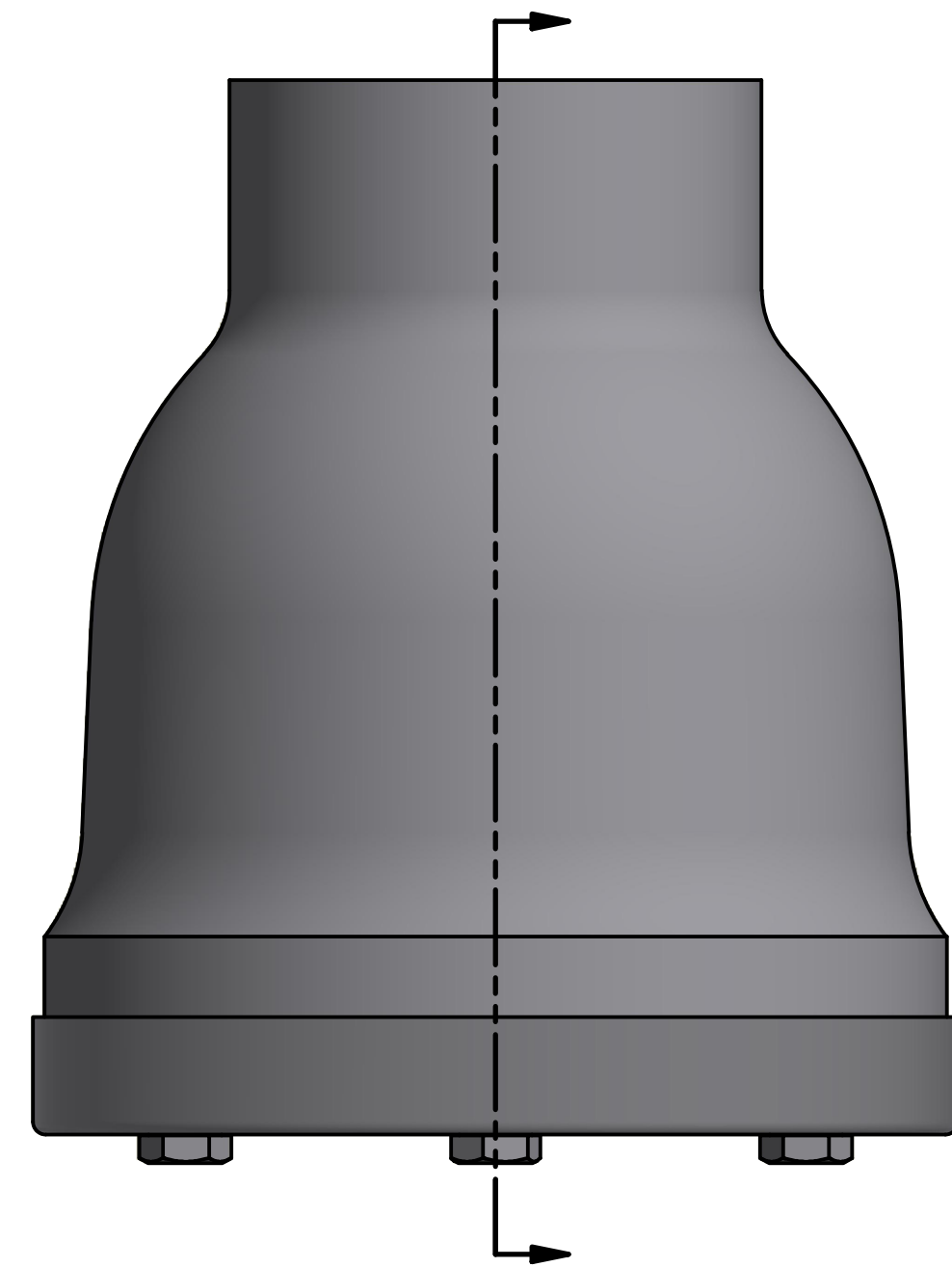
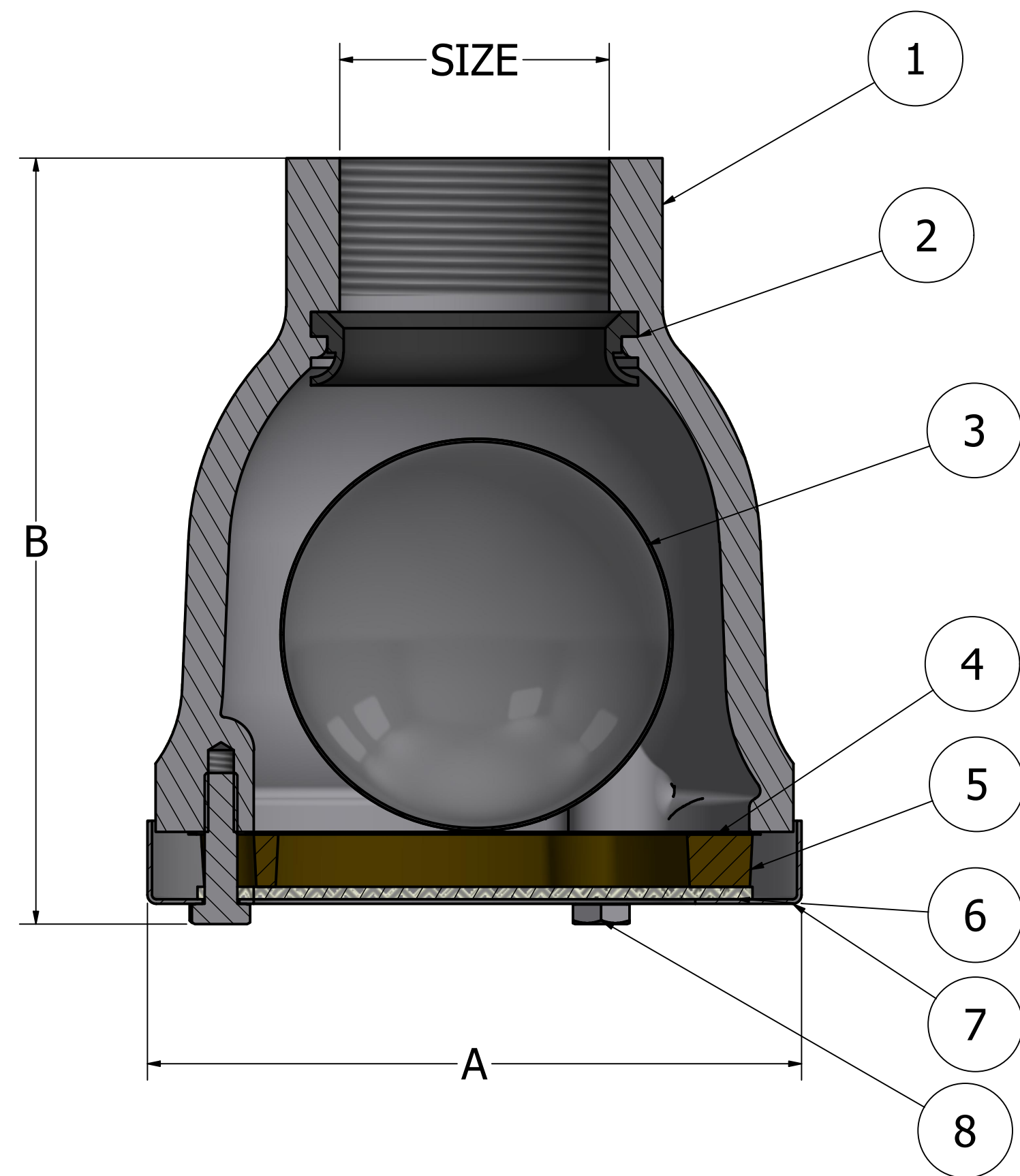
- 1020 Galvanized Steel(Standard)
- Bronze (ASTM-B62)
- Anodized Aluminum (356-T6)
- Stainless Steel (316)

Float Materials:

- 316 Stainless Steel (Standard)
- Copper
- High Density Polyethylene (Plastic)
- Monel

Connections:

- Threaded (NPT Standard)
- Buttweld (Steels Only)
- Socketweld (Steels and Aluminum Only)
- Flanged(ANSI 150lb Standard)
- Sil-Brazed (Bronze Only)



Parts List			
ITEM	QTY	NAME OF PART	STANDARD MATERIAL
1	1	BODY	1020 Galvanized Steel
2	1	SEAT	Nitrile Buna
3	1	FLOAT	Stainless Steel
4	1	FLAME SCREEN	Stainless Steel
5	1	SPACER RING	Stainless Steel
6	1	PROTECTIVE SCREEN	Stainless Steel
7	1	RETAINER CAP	Stainless Steel
8	*	CAP MOUNTING BOLTS	Stainless Steel

SIZE CHART								
SIZE	A	B	C	WEIGHT	W/ FLANGE	# OF HOLES	HOLE SIZE	
.75,1,1.25 STEEL	4.000	4.800	5.25	5 (LB)	8 (LB)	4	0.625	
ONLY 1.5 ALL								
2-ALL	5.375	5.937	6.437	8	12	4	0.750	
2.5-ALL	6.250	6.375	7.000	10	17	4	0.750	
3-ALL	7.125	7.250	7.937	15	24	4	0.750	
4-ALL	7.813	8.750	9.5625	20	31	8	0.750	
.75,1,1.25 BRONZE	4.000	4.189	4.25	3.5B,1.5A	2.25	4	0.625	
& ALUMINUM					ALUMINUM			
					ONLY			

* 4" HAS (4) MOUNTING BOLTS AND WASHERS