

Robert H. Wager Co., Inc.

570 Montroyal Road
Rural Hall, NC 27045
Ph: 800-562-7024
Fx: 336-969-6375
www.wagerusa.com

1500-MC Series - Vent Outlet Closing Device

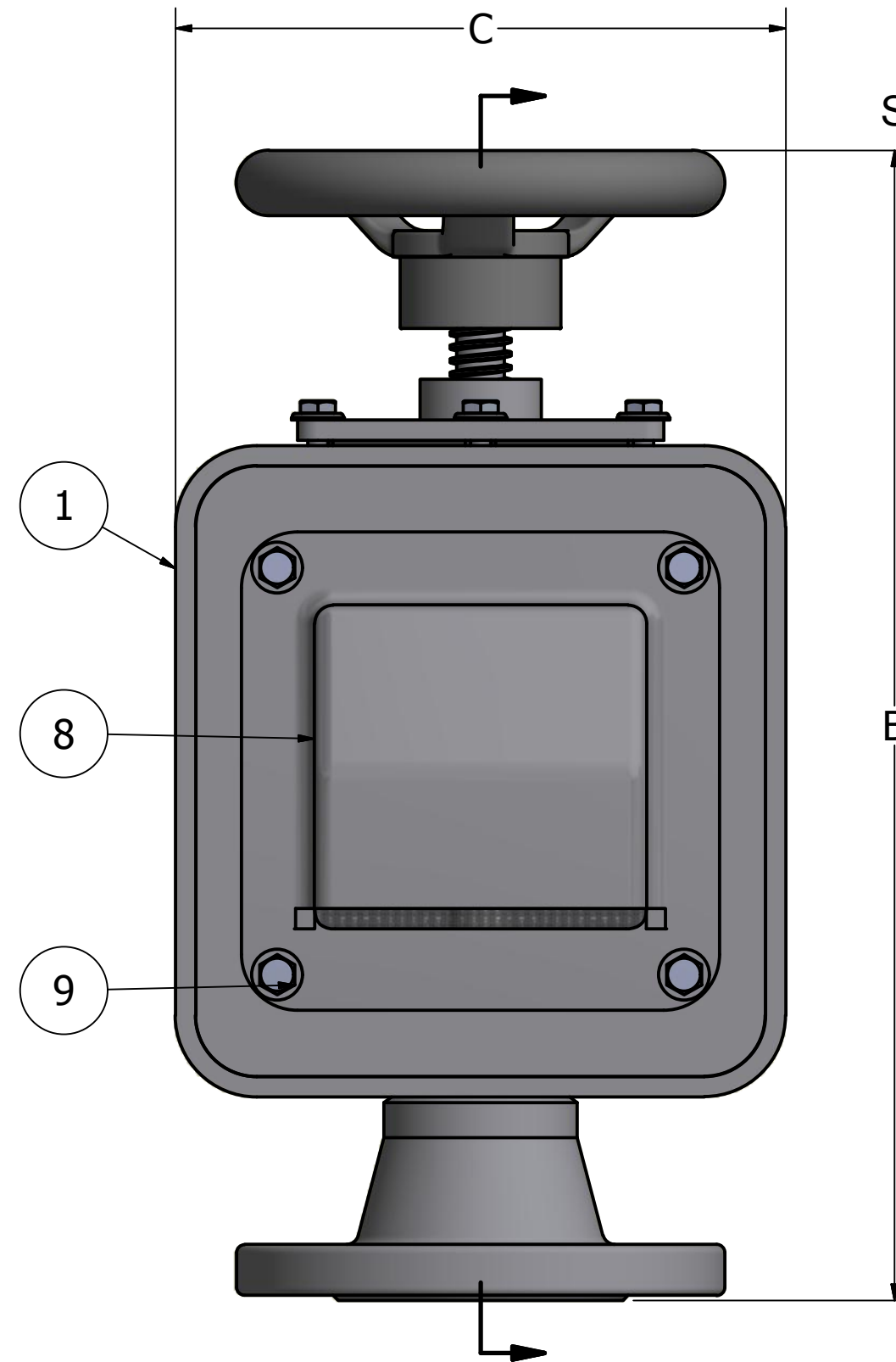
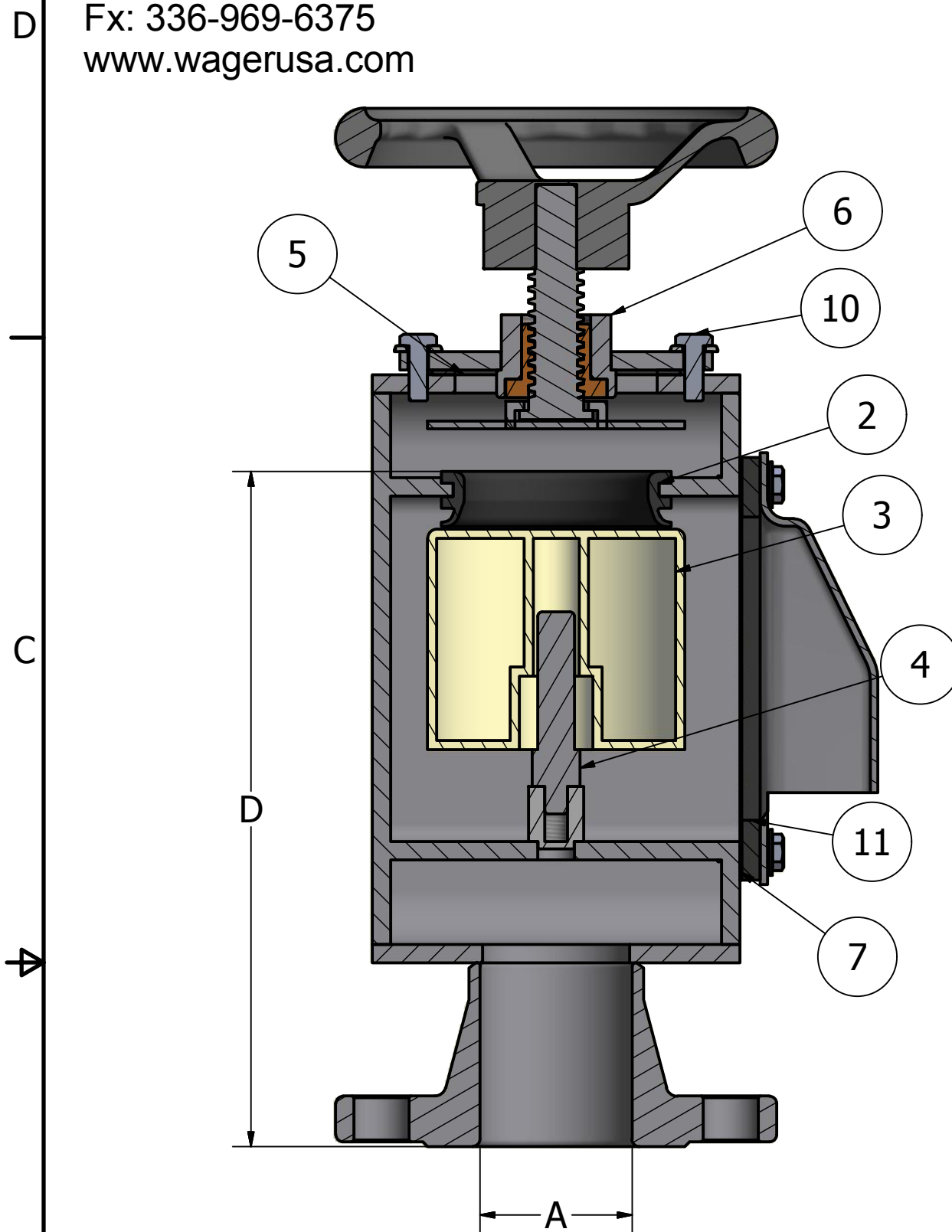
When Ordering, Please Specify:
Body Material and Connection

FOR REFERENCE ONLY
DO NOT USE FOR ENGINEERING PURPOSES

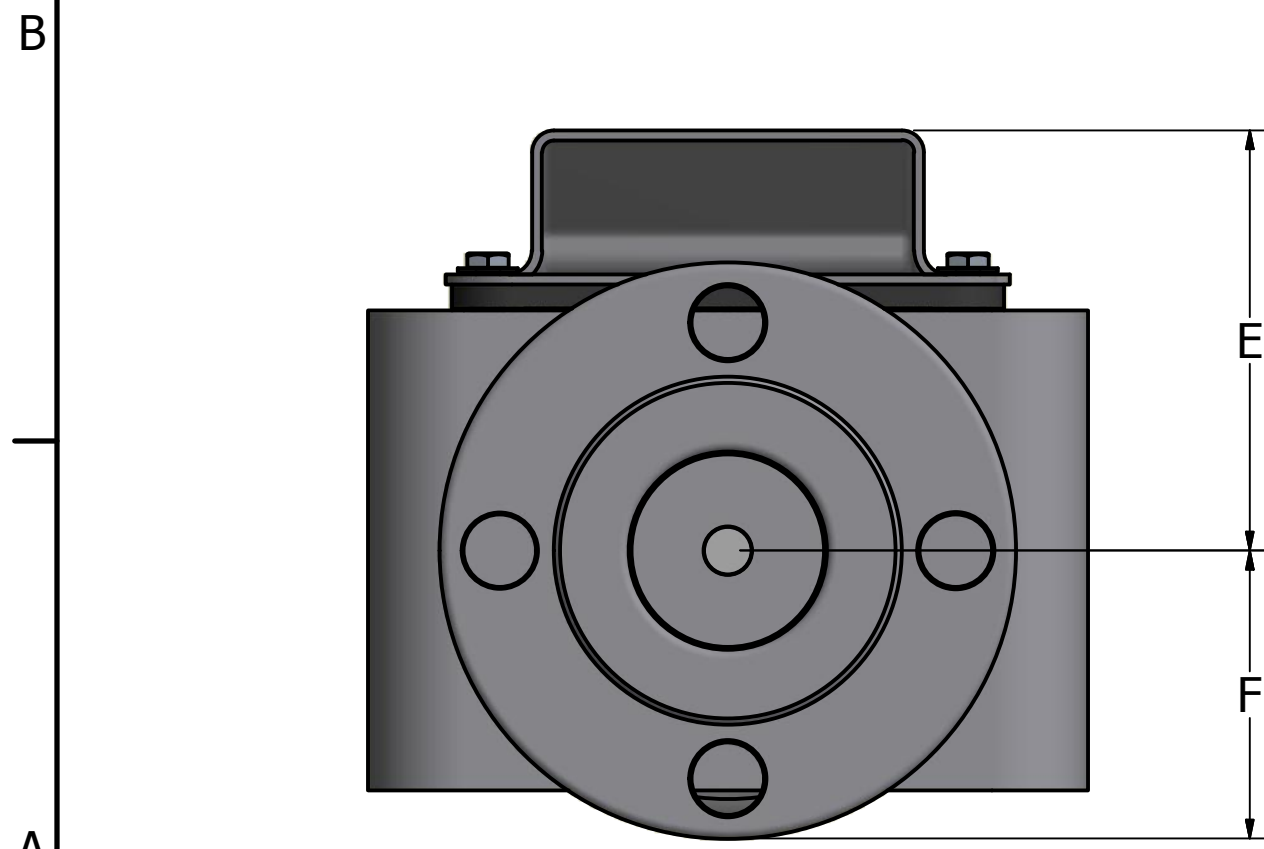
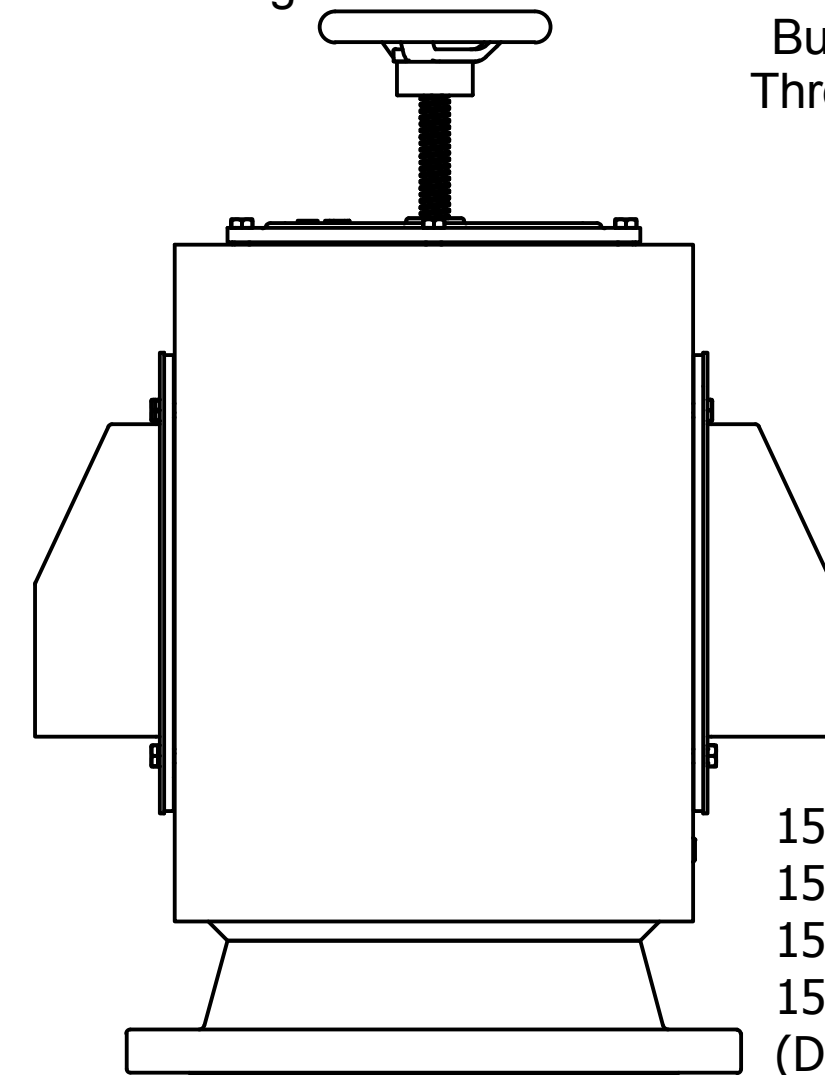
Body Materials:
Galvanized Steel (1020) ASTM-A-29
Stainless Steel (304)(BY ORDER) & (316)(STANDARD GRADE) ASTM-A-351
Aluminum (835)

Connections:
Flanged (ANSI B16.5 - Standard)(all sizes)
Std. cut groove for Victaulic S/07 coupling(all sizes)
Buttweld (all sizes)
Threaded (all sizes)

1500-MC-10
1500-MC-12
1500-MC-14 and
1500-MC-16
(DOUBLE COVER)



Stainless Steel (304)(BY ORDER) & (316)(STANDARD GRADE) ASTM-A-351



Parts List		
ITEM	NAME OF PART	QTY
1	Valve Housing	1
2	Valve Seat	1
3	Float Disc	1
4	Guide Rod	1
5	Cap Gasket	1
6	Manual Closing Assy.	1
7	Flame/Bug Screen	1
8	Cover	1
9	Cover Bolt	4
10	Mounting Bolt	8
11	Cover Gasket	1

* 1.5"-8" HAVE 1 COVER AND GASKET
10"-16" HAVE 2 COVERS AND GASKETS

DN SIZE Column 1	Sizing Chart						
	A	A	B	C	D	E	F
40	1.5	14	7	9	4 3/8	2 7/8	28
50	2	14 1/2	7	9 5/8	4 3/8	3	30
65	2.5	14 7/8	7	9 7/8	4 3/8	3 1/2	32
80	3	17 7/8	9 1/2	12	5 7/8	3 3/4	56
100	4	18 1/8	9 1/2	12 1/4	5 7/8	4 1/2	60
125	5	20	11 1/2	13 1/8	7	5	83
150	6	22 1/4	14	15 1/2	8 1/4	5 1/2	125
200	8	26	17	18 1/2	10 5/8	6 3/4	190
250	10	27 3/4	22 3/8	17 5/8	10 1/8	10 1/8	235
300	12	31 1/4	26 1/2	19 1/8	13 7/8	13 7/8	415
350	14	31 1/4	26 1/2	19 1/8	13 7/8	13 7/8	430
400	16	31 1/4	32 1/4	19 1/2	14 3/4	14 3/4	550