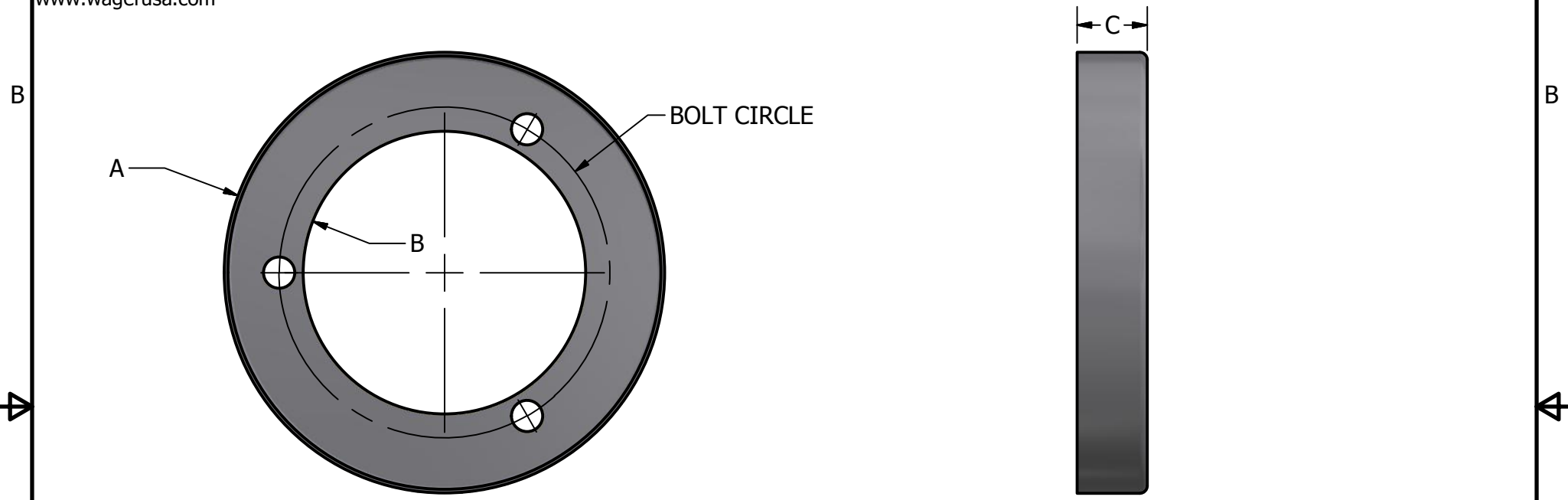


Robert H Wager Co., Inc.

570 Montroyal Road
 Rural Hall, NC 27045
 Ph: 800-562-7024
 Fx: 336-969-6375
 www.wagerusa.com

1600 SERIES -TAE PROTECTIVE CAP

MATERIAL- 316 STAINLESS STEEL



SIZE CHART

PART #	1700 SIZE	A (O.D.)	B (I.D.)	C (HEIGHT)	BOLT CIRCL	# OF BOLTS	BOLT SIZE
1604SS	1.5(40MM)	3.697	2.565	.536	3.00	3	1/4-20
1608SS	2(50MM)	4.52	3.25	.536	3.875	3	1/4-20
1612SS	2.5(65MM)	5.445	4.375	.536	4.813	3	1/4-20
1616SS	3(80MM)	6.272	5.10	.536	5.625	3	1/4-20
1621SS	4(100MM)	7.072	5.750	.536	6.25	3	1/4-20
1765SS	5(125MM)	10.125	7.75	.636	8.50	5	3/8-16
1766SS	6(150MM)	11.634	9.25	.636	9.875	6	3/8-16
1768SS	8(200MM)	14.536	11.75	.75	12.75	6	3/8-16
1769SS	10(250MM)	17.20	14.25	.75	15.625	8	3/8-16
1754SS	12(300MM)	23.80	21.50	.75	22.5	8	3/8-16
CAP-16SS	16(400MM)	30.25	26.80	.75	28.25	8	3/8-16

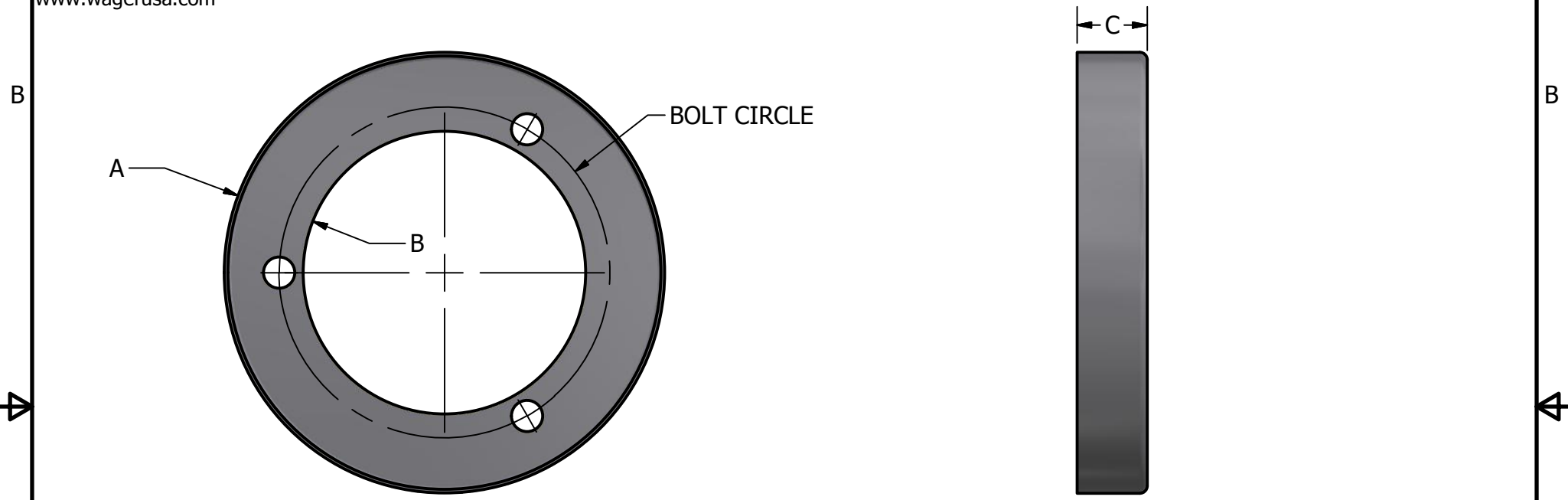
NOTE
 5"-16" 1600-TAE
 IS SAME AS 1700-IVC

Robert H Wager Co., Inc.

570 Montroyal Road
 Rural Hall, NC 27045
 Ph: 800-562-7024
 Fx: 336-969-6375
 www.wagerusa.com

1700 SERIES IVC PROTECTIVE CAP

MATERIAL- 316 STAINLESS STEEL



SIZE CHART

PART #	1700 SIZE	A (O.D.)	B (I.D.)	C (HEIGHT)	BOLT CIRCL	# OF BOLTS	BOLT SIZE
1760SS	1.5(40MM)	4.00	2.565	.636	3.00	3	1/4-20
1761SS	2(50MM)	5.00	3.375	.636	3.875	3	1/4-20
1762SS	2.5(65MM)	5.98	4.375	.636	4.813	3	1/4-20
1763SS	3(80MM)	6.75	5.063	.636	5.625	3	1/4-20
1764SS	4(100MM)	7.563	5.750	.636	6.25	4	1/4-20
1765SS	5(125MM)	10.125	7.75	.636	8.50	5	3/8-16
1766SS	6(150MM)	11.634	9.25	.636	9.875	6	3/8-16
1768SS	8(200MM)	14.536	11.75	.75	12.75	6	3/8-16
1769SS	10(250MM)	17.20	14.25	.75	15.625	8	3/8-16
1754SS	12(300MM)	23.80	21.50	.75	22.5	8	3/8-16
CAP-16SS	16(400MM)	30.25	26.80	.75	28.25	8	3/8-16