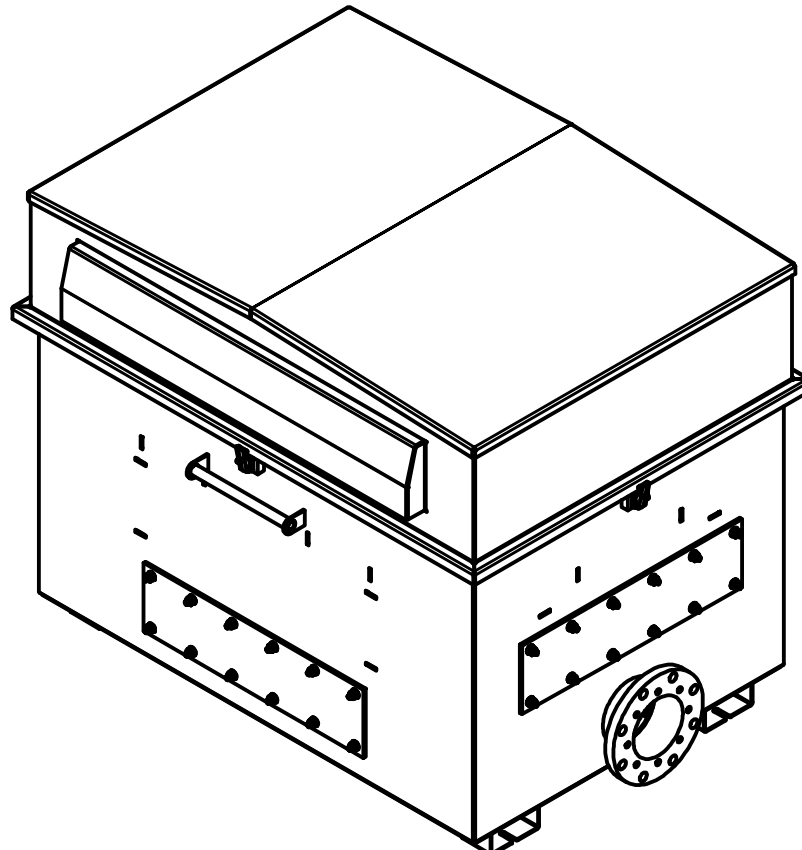
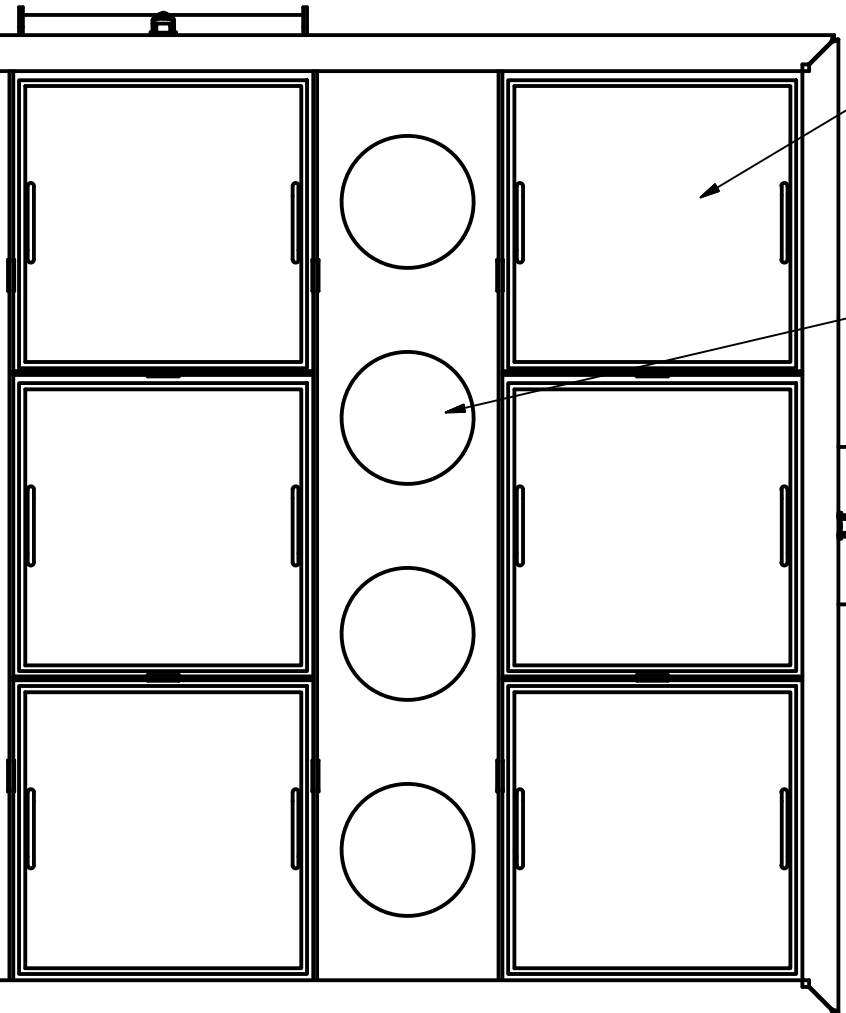
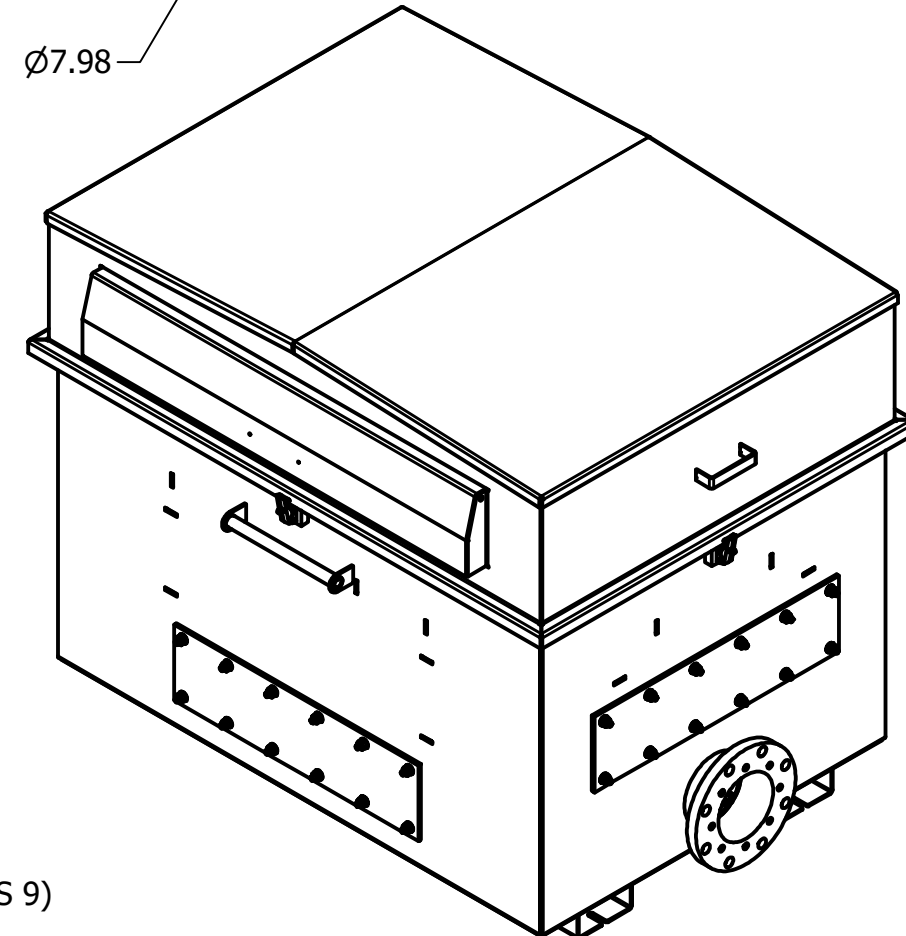
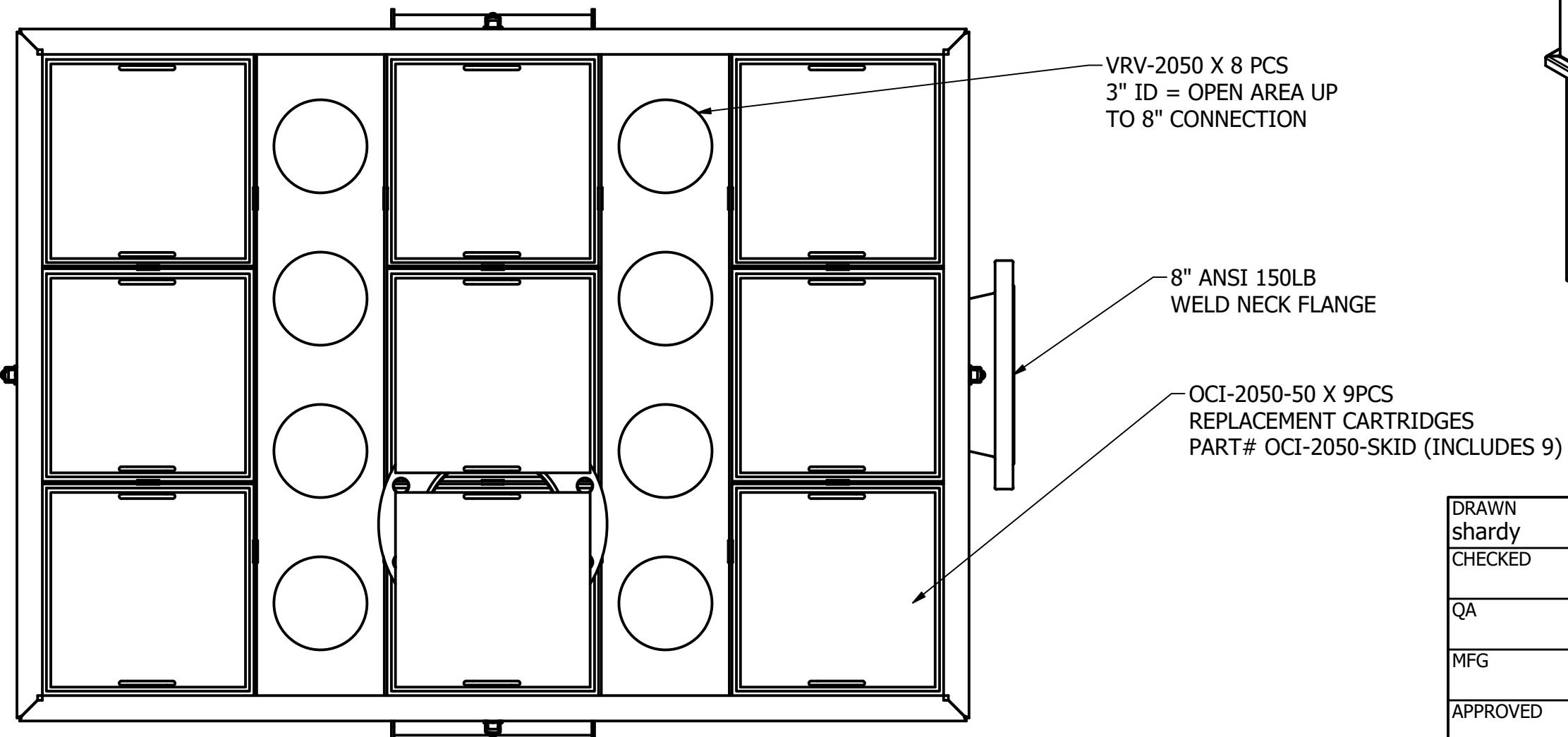
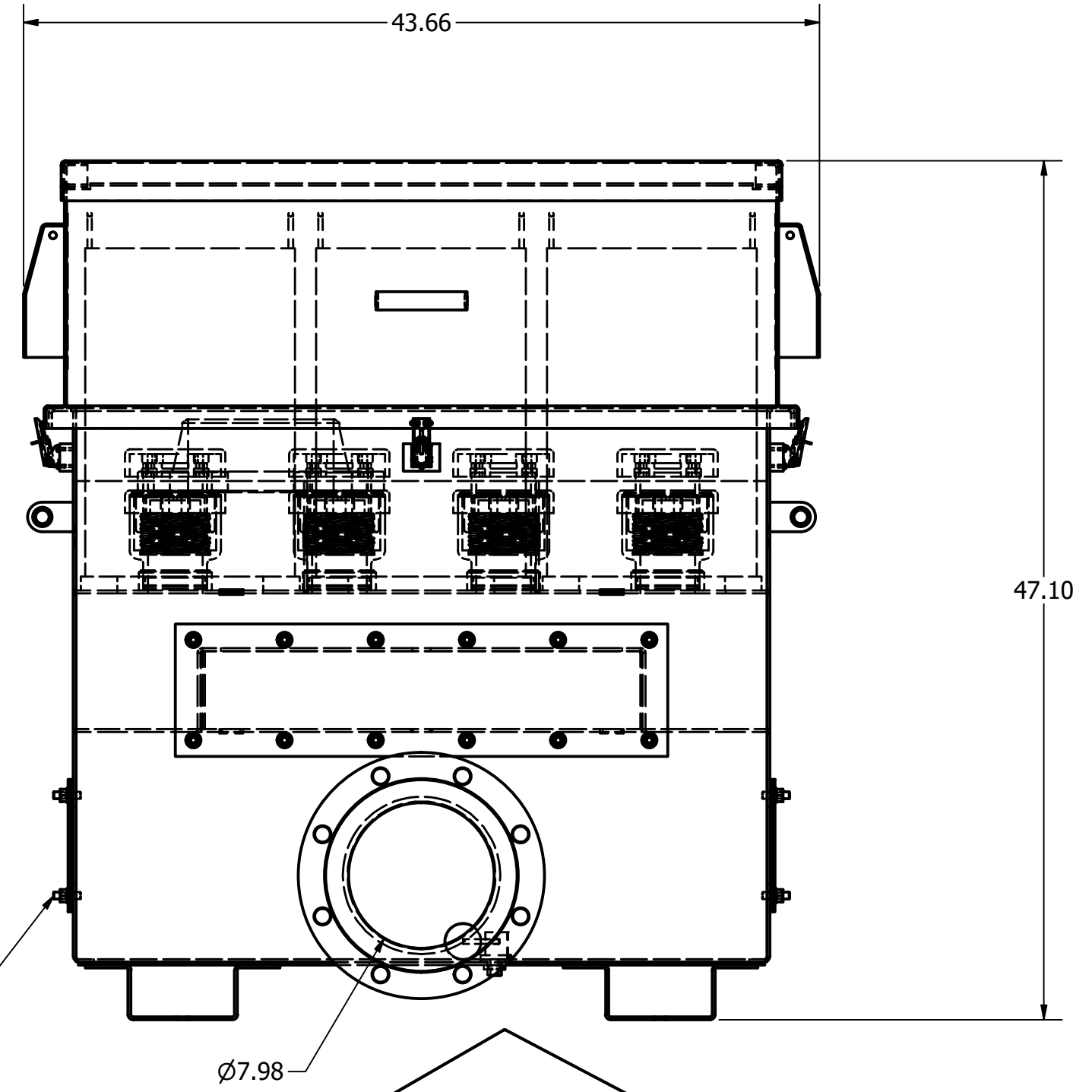
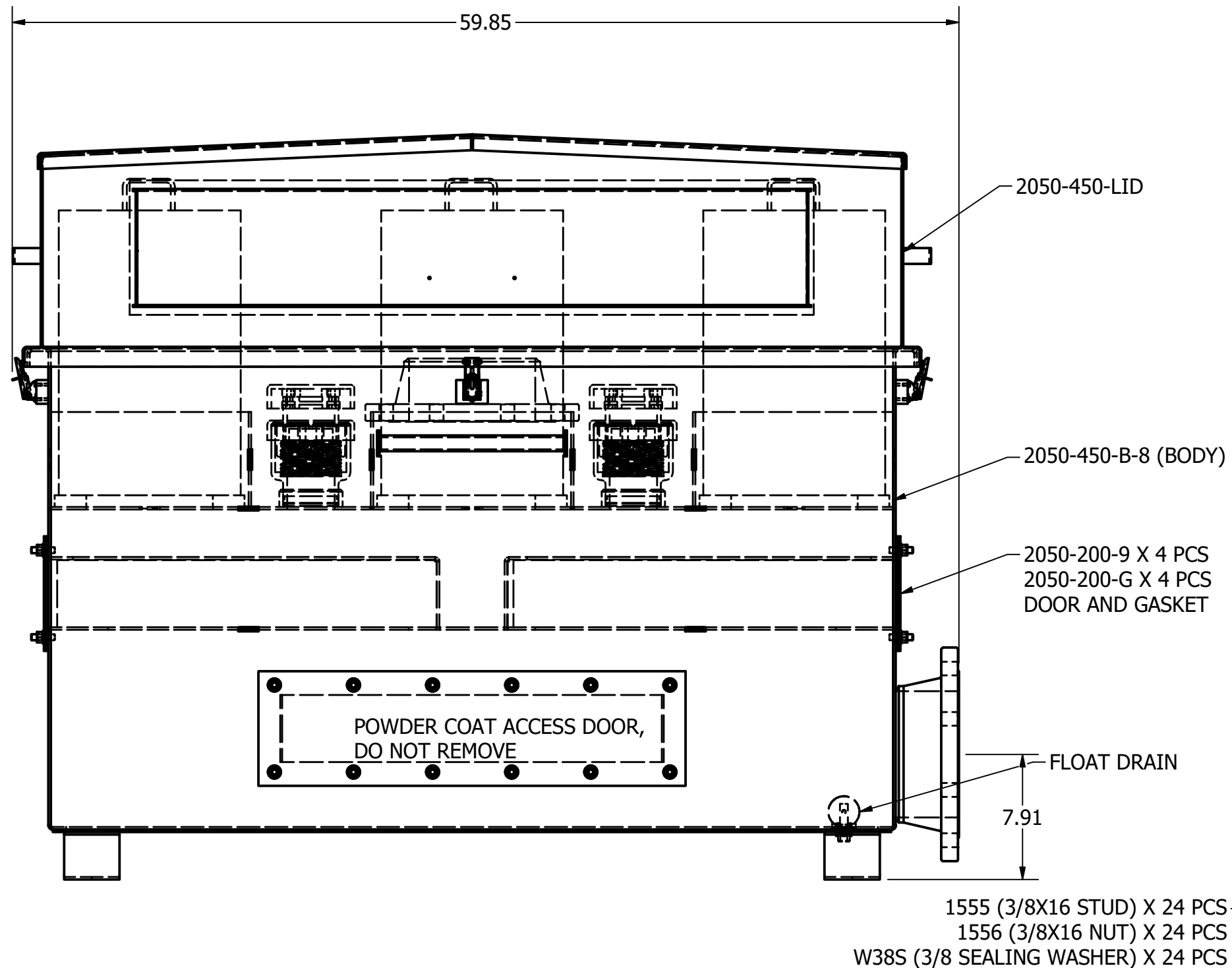


ACCESS PANELS ON SIDES  
FOR POWDERCOATING  
DO NOT REMOVE AFTER ASSEMBLED



DRAWN SHARDY	3/2/2021	RPBERT H. WAGER CO., INC.		
CHECKED		TITLE		
QA		4'6" SEWER VENT W/ INTAKE AND WATER SEPERATOR, 450 LBS. MEDIA		
MFG		SIZE	DWG NO	REV
APPROVED		C	2050FAPC-IWS-450	
		SCALE	SHEET 1 OF 1	



DRAWN shardy	6/28/2022	ROBERT H. WAGER CO., INC.		
CHECKED		TITLE		
QA		8" SEWER VENT W/ INTAKE AND WATER SEPARATOR, 450 LBS MEDIA		
MFG		SIZE	DWG NO	REV
APPROVED		C	8-2050FAPC-IWS-450	
		SCALE	1/8	SHEET 1 OF 1