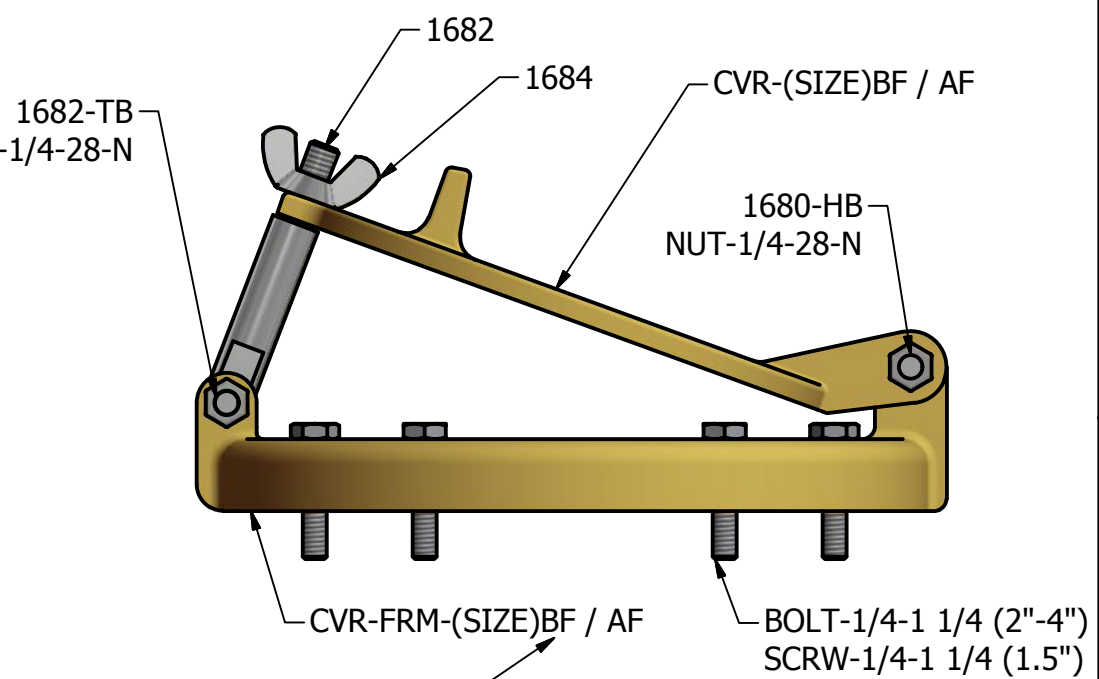
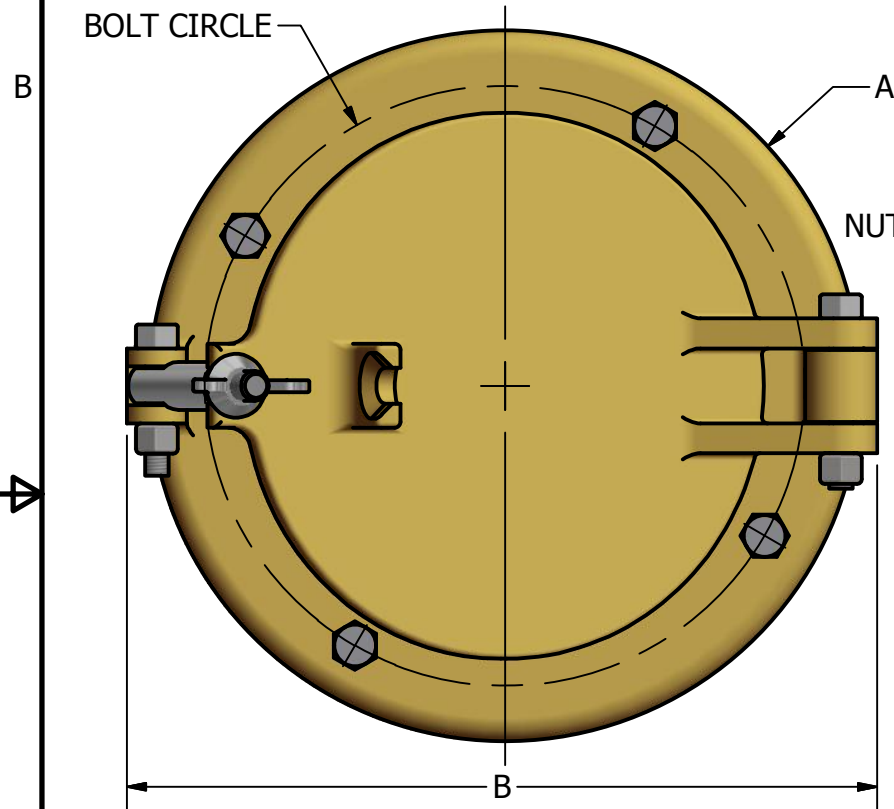


Robert H Wager Co., Inc.

570 Montroyal Road
 Rural Hall, NC 27045
 Ph: 800-562-7024
 Fx: 336-969-6375
 www.wagerusa.com

1660(TAE)/1750(IVC) 1.5"-4" COVER ASSEMBLIES

MATERIAL- CAST BRONZE C836 OR CAST ALUMINUM 356 T6
 -ALL HARDWARE IS 316 STAINLESS STEEL



*NOTE FOR END OF PART#
 B INDICATES BRONZE
 A INDICATES ALUMINUM

* NOTE FOR END OF PART#
 BF INDICATES BRONZE
 AF INDICATES ALUMINUM

SIZE CHART

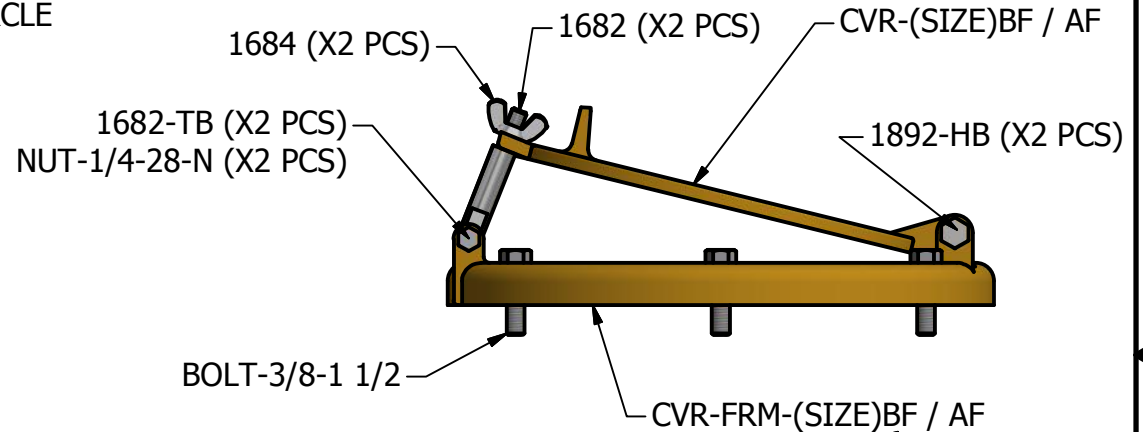
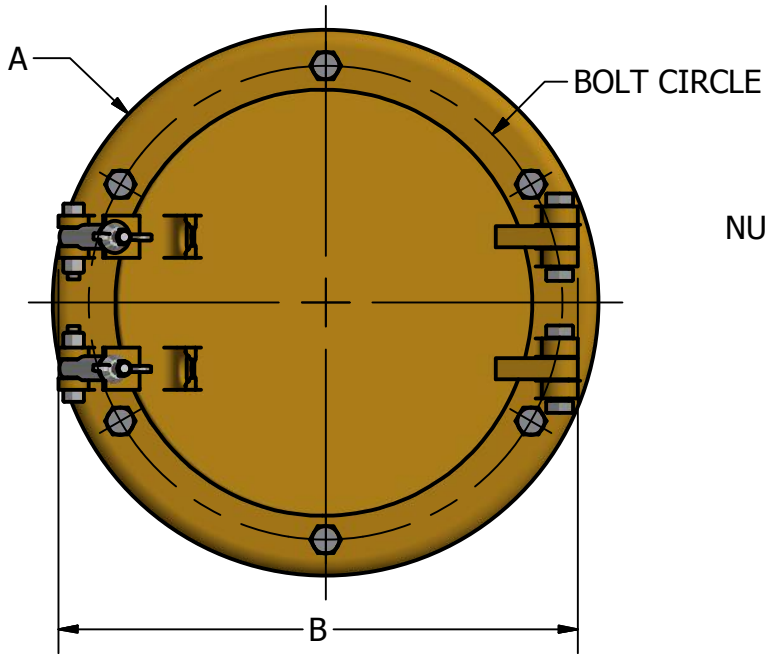
FULL ASSY PART#	SIZE	FITS	A	B	BOLT CIRCLE	# OF BOLTS
CVR ASSY-1.5(B/A)	1.5"	1660/1750	4.031	4.688	3.00	3
CVR ASSY-2(B/A)	2"	1660/1750	4.938	5.344	3.875	3
CVR ASSY-2.5(B/A)	2.5"	1660/1750	5.813	6.250	4.813	3
CVR ASSY-3(B/A)	3"	1660/1750	6.625	7.125	5.625	3
CVR ASSY-4(B/A)	4"	1750	7.40	7.813	6.25	4
CVR ASSY-4(B/A)-3	4"	1660	7.40	7.813	6.25	3

Robert H Wager Co., Inc.

570 Montroyal Road
 Rural Hall, NC 27045
 Ph: 800-562-7024
 Fx: 336-969-6375
 www.wagerusa.com

1660(TAE)/1750(IVC) 5"-6" COVER ASSEMBLIES

MATERIAL- CAST BRONZE C836 OR CAST ALUMINUM 356 T6
 -ALL HARDWARE IS 316 STAINLESS STEEL



* NOTE FOR END OF PART#
 BF INDICATES BRONZE
 AF INDICATES ALUMINUM

*NOTE FOR END OF PART#
 B INDICATES BRONZE
 A INDICATES ALUMINUM

SIZE CHART

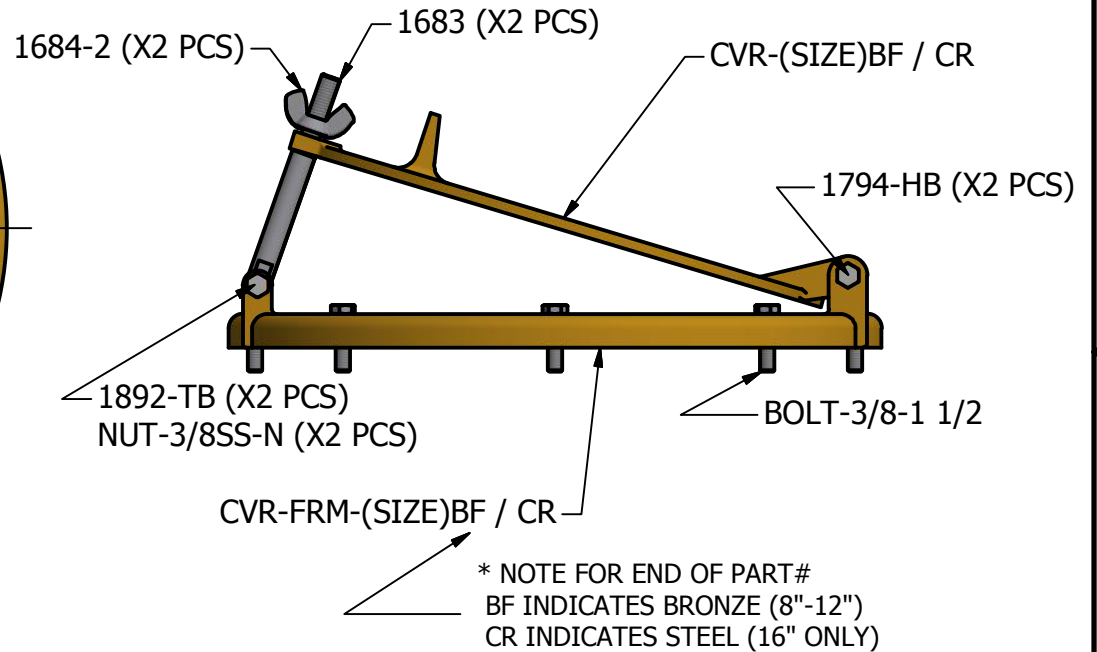
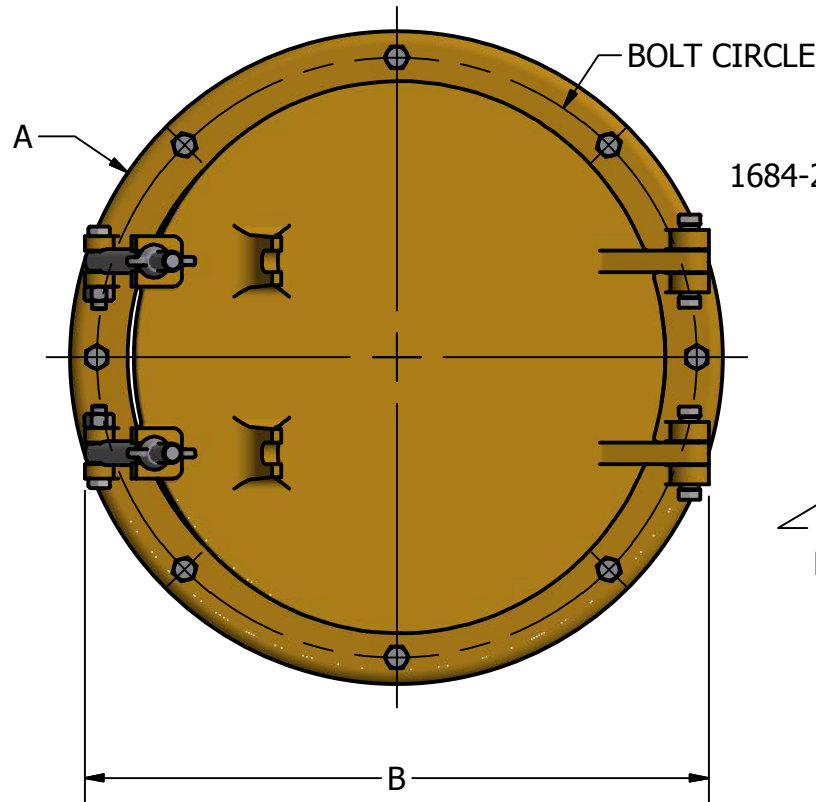
FULL ASSY PART#	SIZE	FITS	A	B	BOLT CIRCLE	# OF BOLTS
CVR ASSY-5(B/A)	5"	1660/1750	10.125	9.50	8.50	5
CVR ASSY-6(B/A)	6"	1660/1750	11.375	10.813	9.875	6

Robert H Wager Co., Inc.

570 Montroyal Road
 Rural Hall, NC 27045
 Ph: 800-562-7024
 Fx: 336-969-6375
 www.wagerusa.com

1660(TAE)/1750(IVC) 8"-16" COVER ASSEMBLIES

MATERIAL- CAST BRONZE C836 (8"-12")
 - FABRICATED STEEL, GALVANIZED (16" ONLY)
 -ALL HARDWARE IS 316 STAINLESS STEEL



*NOTE FOR END OF PART#
 B INDICATES BRONZE
 SG INDICATES GALVANIZED STEEL

SIZE CHART

FULL ASSY PART#	SIZE	FITS	A	B	BOLT CIRCLE	# OF BOLTS
CVR ASSY-8B	8"	1660/1750	14.625	13.50	12.75	6
CVR ASSY-10B	10"	1660/1750	17.00	16.25	15.625	8
CVR ASSY-12B	12"	1660/1750	24.00	22.00	22.50	8
CVR ASSY-16SG	16"	1660/1750	30.50	30.00	28.25	8