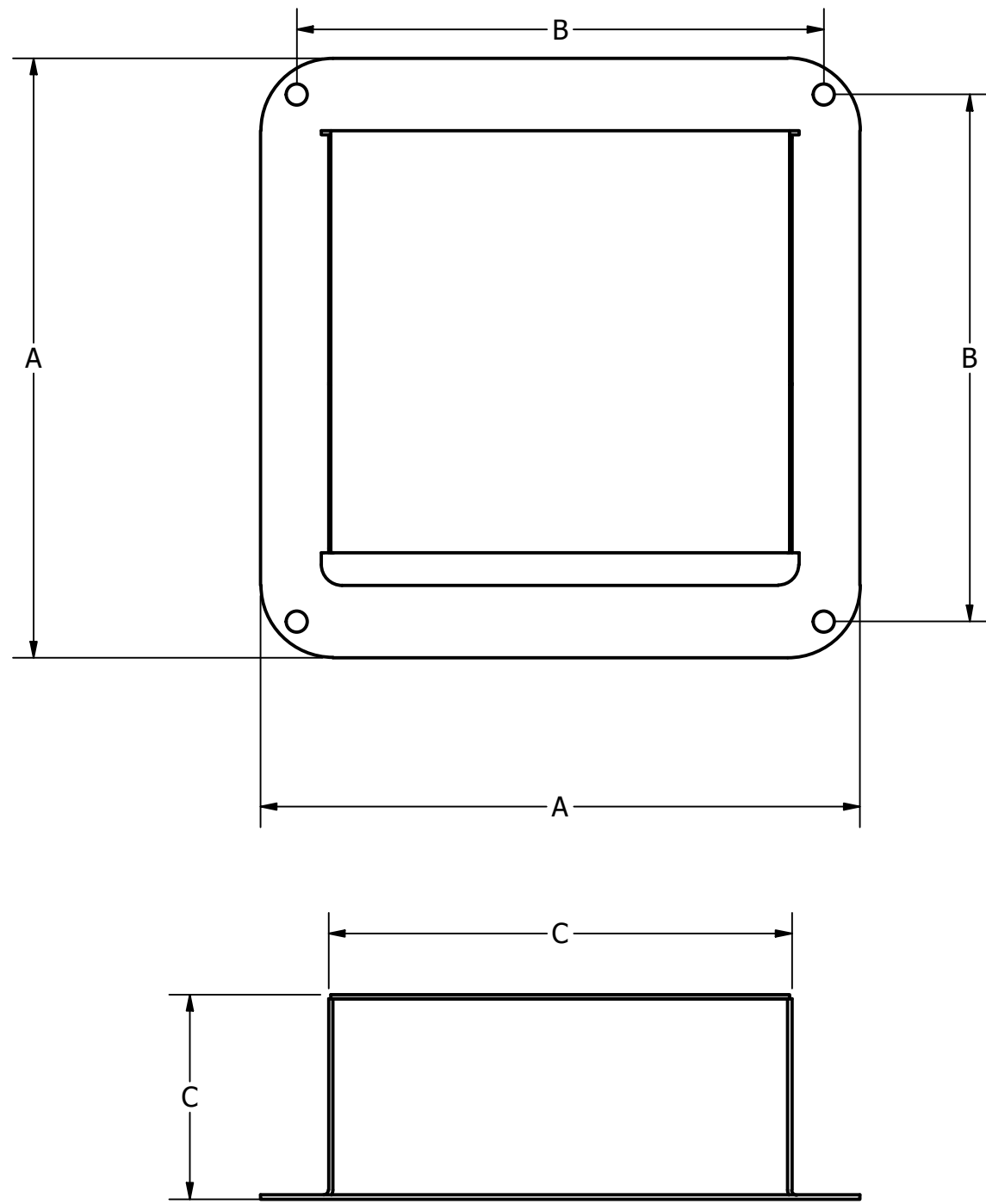
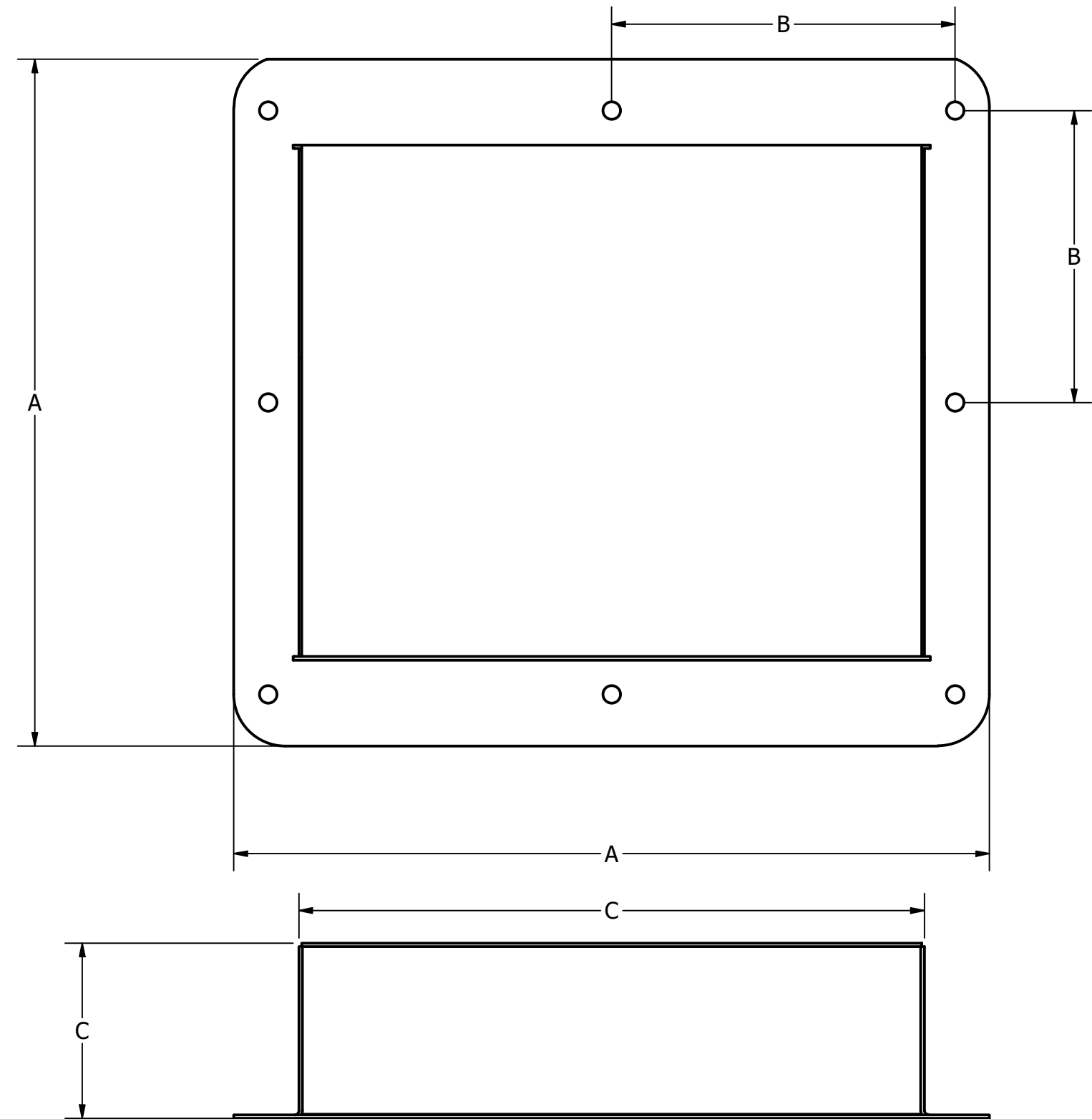


# 1500 COVERS

1.5"-10" HAVE 4  
BOLT HOLES



12" AND UP HAVE 8  
BOLT HOLES



\*10" AND UP 1500 REQUIRE 2  
COVERS PER VALVE

TABLE				
SIZE(S)	A	B	C	# OF HOLES
1.5,2,2.5	5.875 X 5.875	5 X 5	4.085 X 1.605	4
3,4	8.375 X 8.375	6.75 X 6.75	6.085 X 2.313	4
5	9.938 X 9.938	8 X 8	7.21 X 3.105	4
6	12.375 X 12.375	10.875 X 10.875	9.585 X 3.48	4
8	14.5 X 14.5	12.75 X 12.75	11.21 X 4.95	4
10	17.5 X 12	15 X 9	13.785 X 3.605	4
12,14	22 X 20	10 X 8.5	18.21 X 5.105	8
16	27 X 20	12.5 X 9	22.21 X 5.105	8
18,20	30 X 21	13 X 8.5	24.21 X 7.105	8