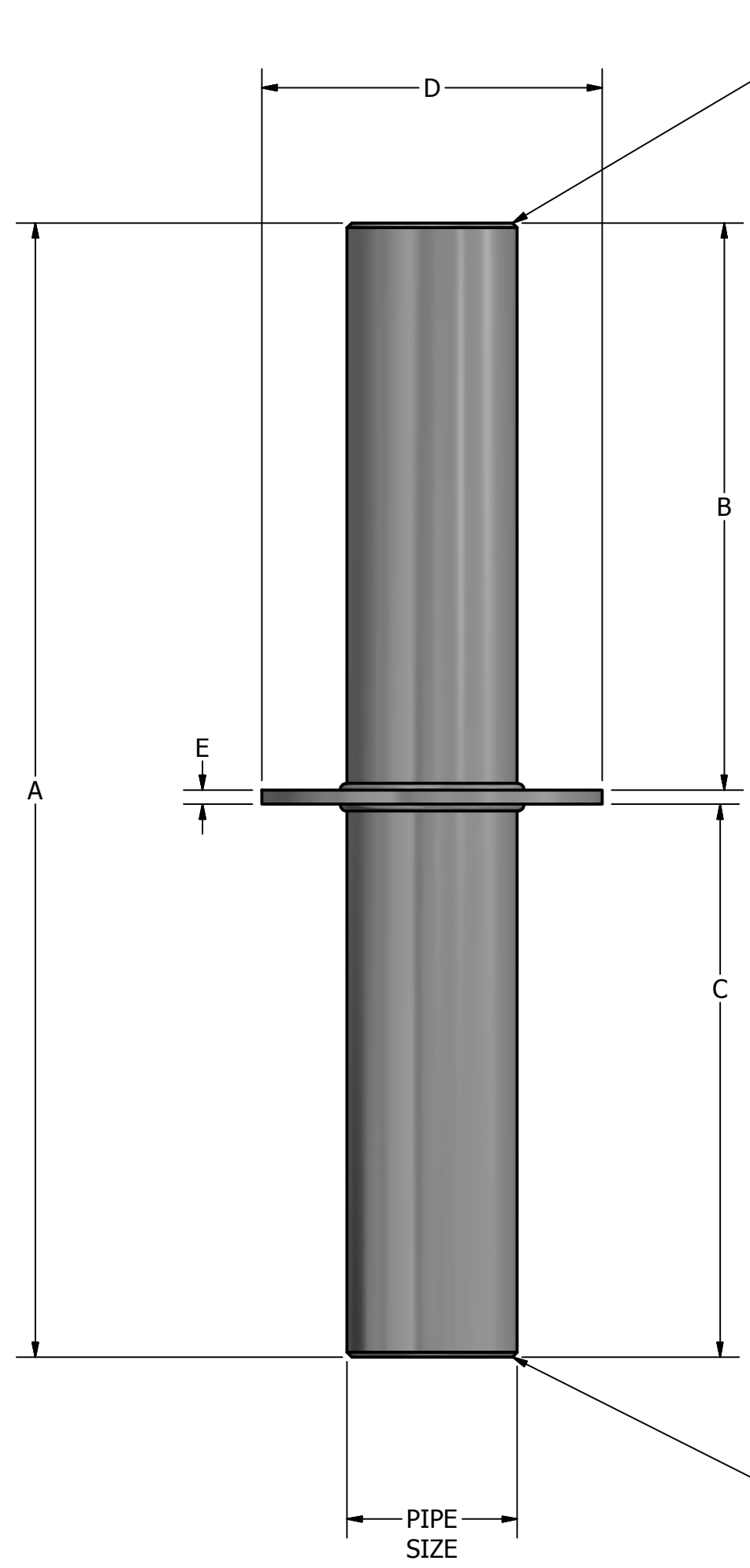


STAND PIPE DIMENSIONS



PLEASE CHECK WHICH CONNECTION NEEDED

- FLANGED _____
- BUTT WELD _____
- SOCKET WELD _____
- THREADED _____

STANDPIPE	
DIMENSION	PLEASE FILL IN BELOW
PIPE SIZE	
A (OVERALL HEIGHT)	
B (ABOVE FLANGE)	
C (BELOW FLANGE)	
D (FLANGE OD)	
E (FLANGE WIDTH)	

PLEASE CHECK WHICH CONNECTION NEEDED

- FLANGED _____
- BUTT WELD _____
- SOCKET WELD _____
- THREADED _____