

Robert H Wager Co., Inc.

570 Montroyal Road
 Rural Hall, NC 27045
 Ph: 800-562-7024
 Fx: 336-969-6375
 www.wagerusa.com

1660 Series (No Float)

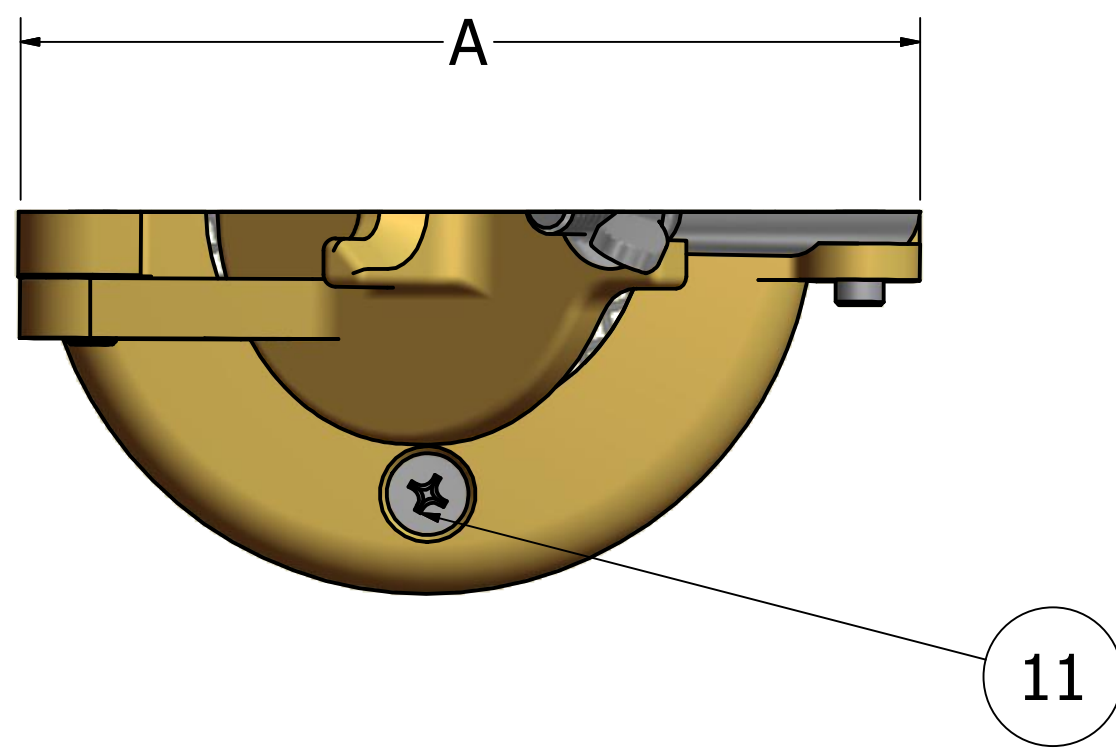
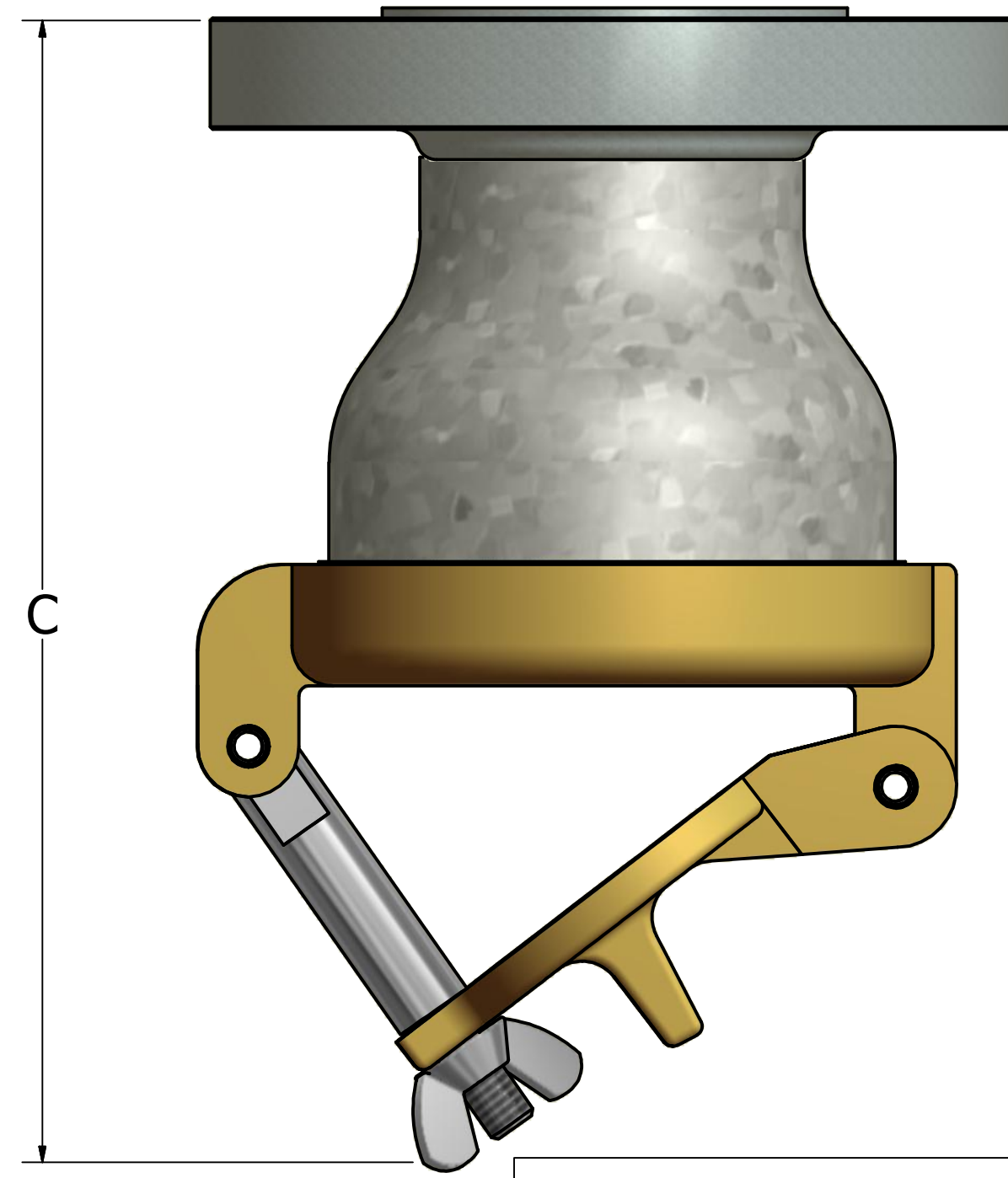
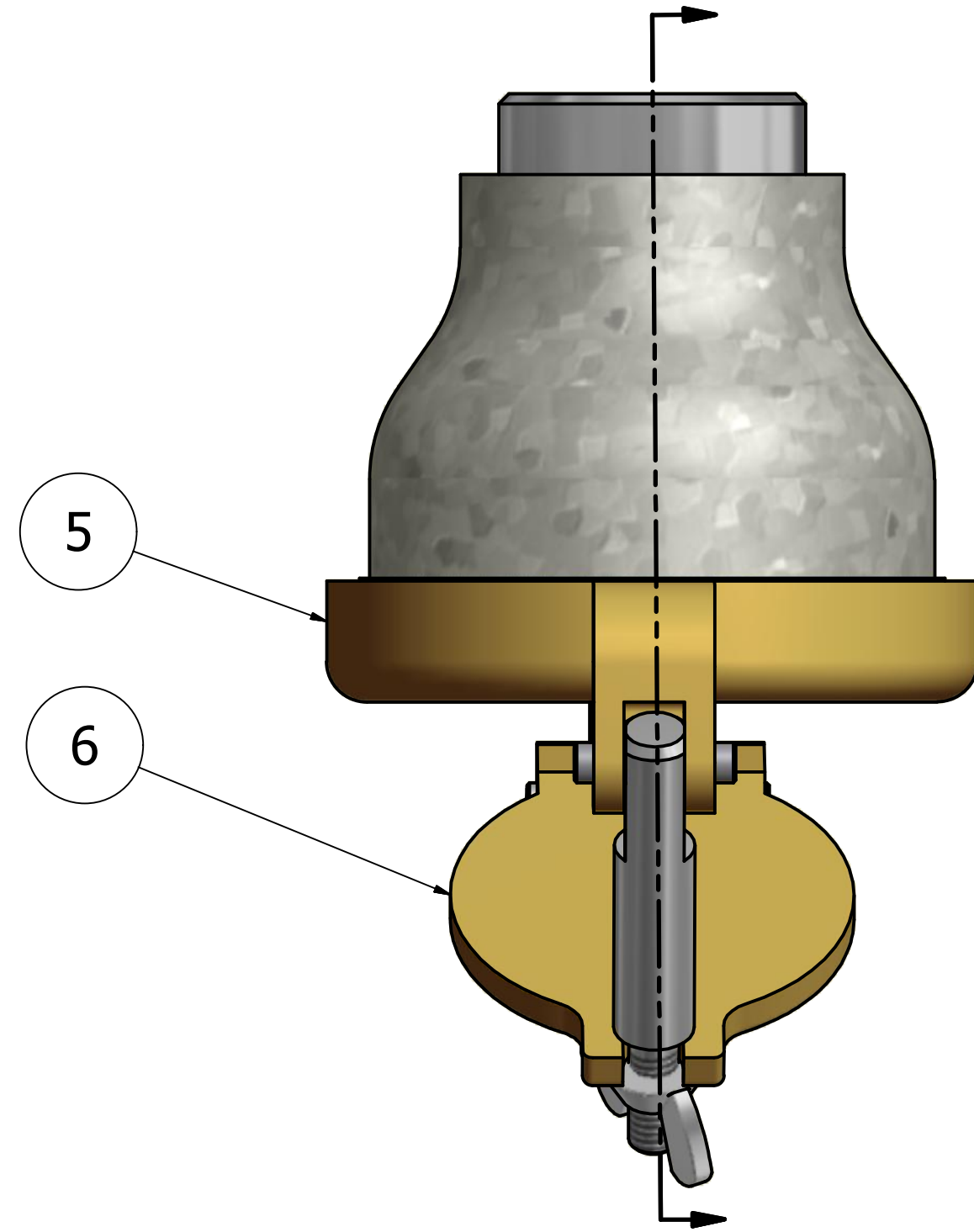
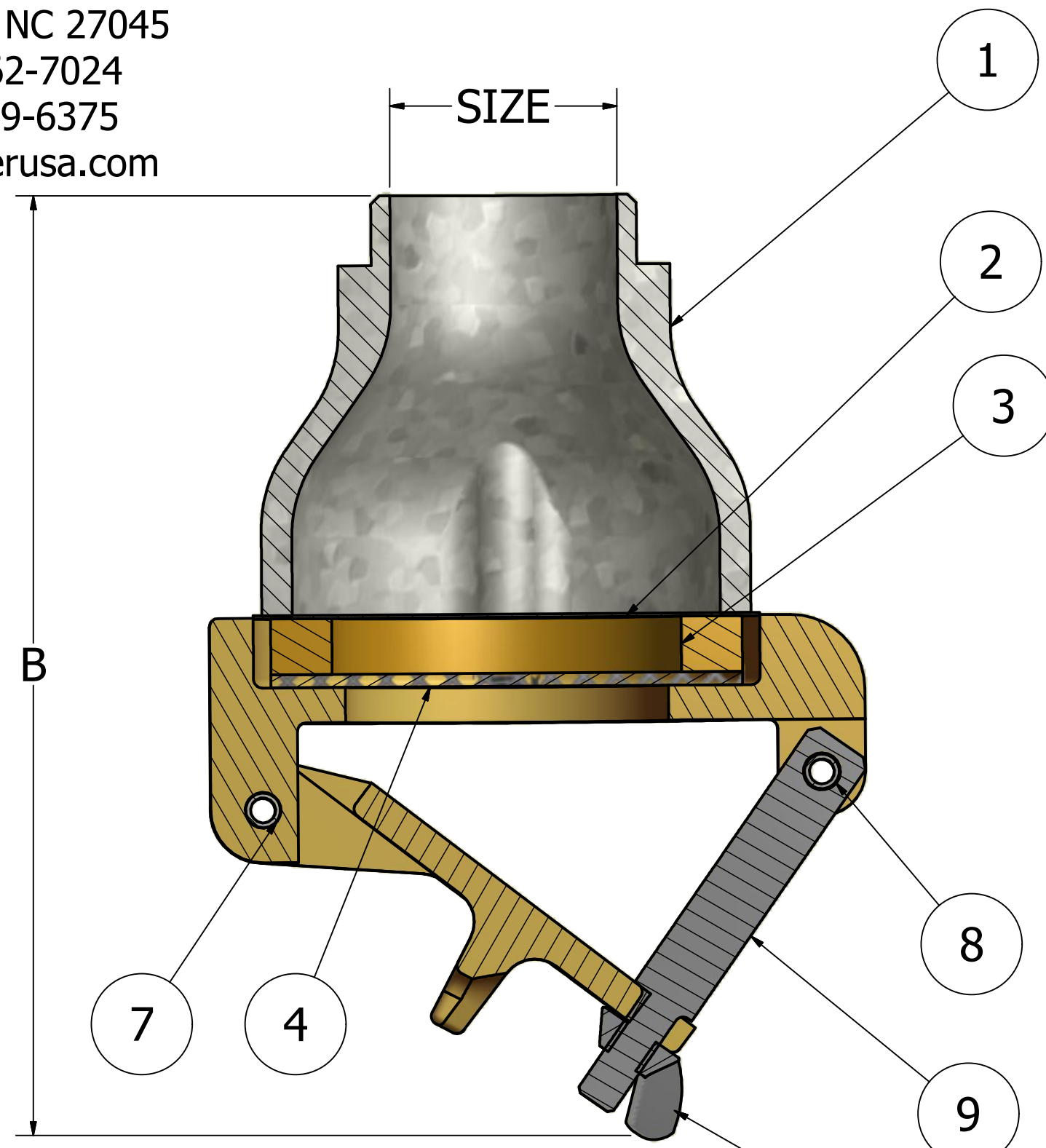
When Ordering, Please Specify:
 Body Material and Connection

Body Materials:

- 1020 Galvanized Steel
- Bronze (ASTM-B62)
- Anodized Aluminum (356-T6)
- Stainless Steel (316)
- Copper Nickel (90/10)

Connections:

- Threaded
- Buttweld (Steels and Aluminum Only)
- Socketweld (Steels and Aluminum Only)
- Flanged
- Sil-Brazed (Bronze Only)



Parts List		
ITEM	QTY	NAME OF PART
1	1	BODY
2	1	FLAME SCREEN
3	1	SPACER RING
4	1	PROTECTIVE SCREEN
5	1	COVER FRAME
6	1	COVER
7	1	COVER HINGE PIN
8	1	TOGGLE BOLT HINGE PIN
9	1	TOGGLE BOLT
10	1	TOGGLE BOLT WING NUT
11	*	COVER MOUNTING SCREW

SIZE CHART							
SIZE	A	B	C	WEIGHT	W/ FLNG	# OF HOLES	HOLE DIA.
1.5	4.750	6.750	7.125	5 (LB)	8 (LB)	4	.625
2	5.500	6.750	7.250	6.5	12.5	4	.750
2.5	6.375	7.250	7.875	8.5	16.5	4	.750
3	7.250	7.500	8.188	10	18	4	.750
4	8.000	8.000	8.813	13	24	8	.750
5	10.250	12.000	12.750	36	50	8	.875
6	11.500	13.500	14.375	53	72	8	.875
8	14.500	14.250	15.375	82	114	8	.875
10	17.125	18.250	19.500	116	163	12	1.000
12	23.750	21.750	23.250	240	305	12	1.000
14	30.500	26.500	27.625	370	430	12	1.000
16	30.500	26.500	27.625	350	450	16	1.000

* 1.5" - 4" HAVE (3) MOUNTING BOLTS
 5" HAS (5) MOUNTING BOLTS
 6" HAS (6) MOUNTING BOLTS
 8" - 16" HAVE (8) MOUNTING BOLTS