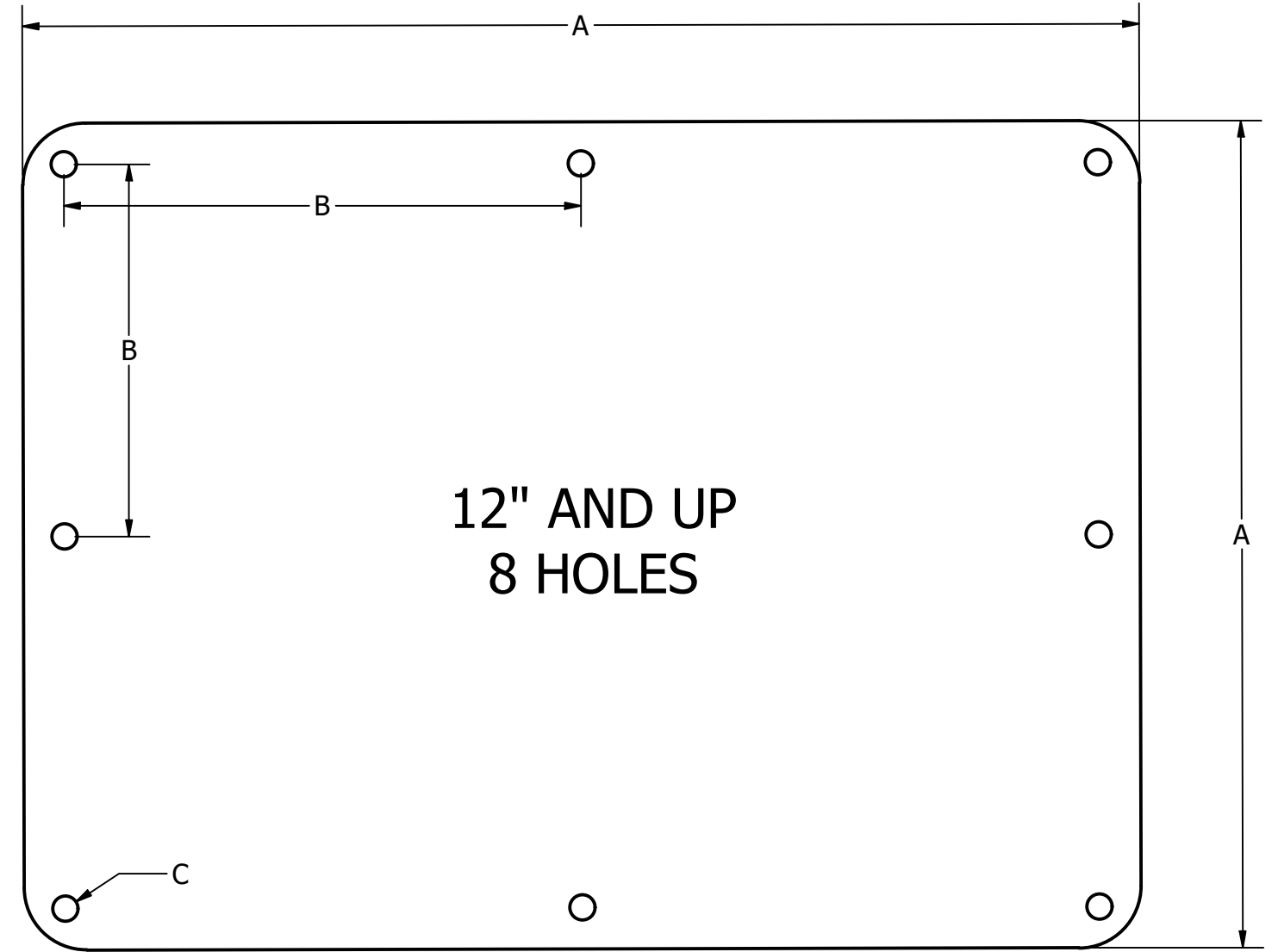
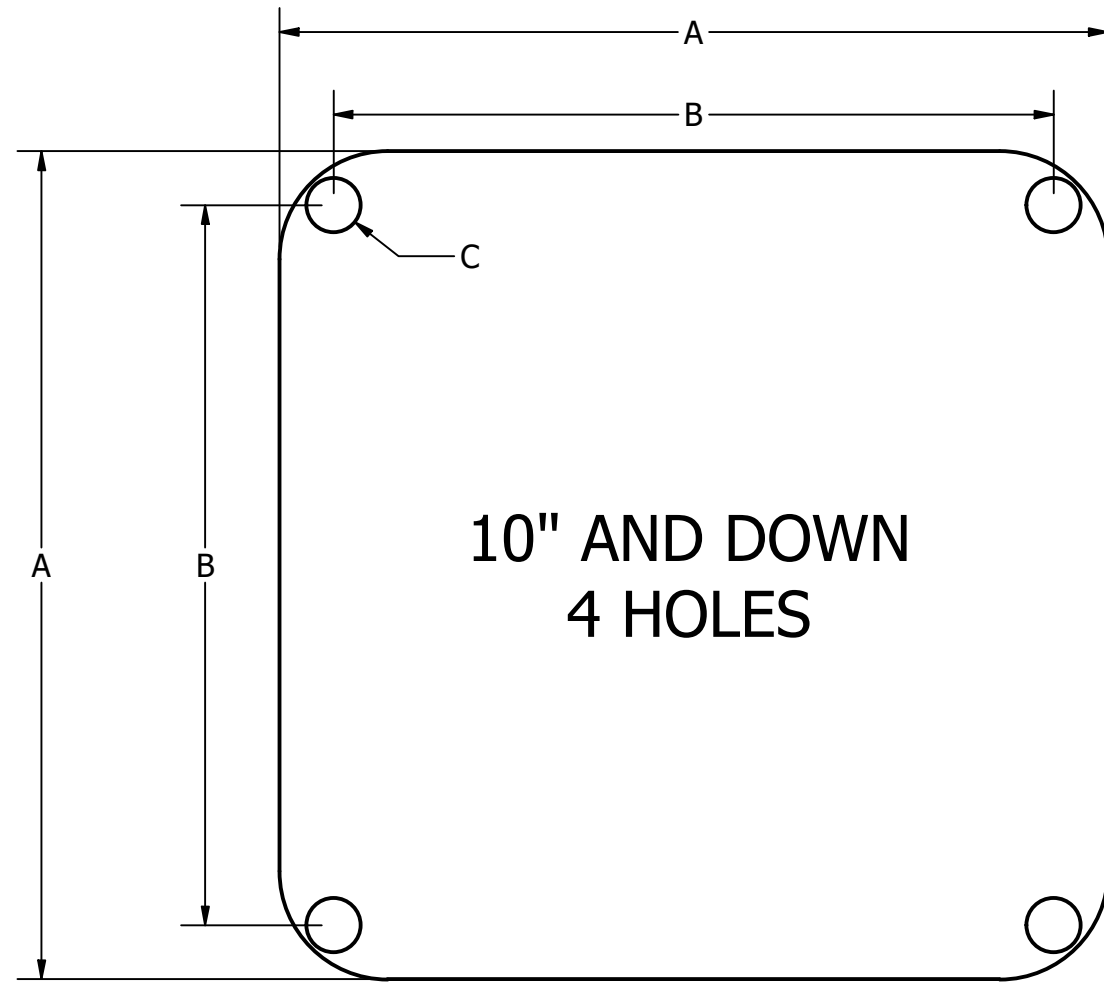


# 1500 SCREENS



**30X30 MESH**

**OR**

**1/4X1/4 MESH**

STYLE - **PLAIN WEAVE**  
 MATERIAL - **316 STAINLESS STEEL**  
 MESH - **30 x 30**  
 WIRE DIAMETER - **.011"**  
 WIDTH OPENING - **.0223"**  
 OPEN AREA - **44.8%**

STYLE - **PLAIN WEAVE**  
 MATERIAL - **316 STAINLESS STEEL**  
 MESH - **1/4 x 1/4**  
 WIRE DIAMETER - **.047"**  
 WIDTH OPENING - **.203"**  
 OPEN AREA - **65.9%**

SCREEN SIZE CHART				
SIZE(S)	A	B	C	# OF HOLES
1.5,2,2.5	5.75 X 5.75	5 X 5	.375	4
3,4	7.875X7.875	6.75 X 6.75	.500	4
5	9.5 X 9.5	8 X 8	.500	4
6	12.25 X 12.25	10.875 X 10.875	.500	4
8	14.25 X 14.25	12.75 X 12.75	.500	4
10	16 X 10	15 X 9	.500	4
12,14	22 X 20	10 X 8.5	.500	8
16	27 X 20	12.5 X 9	.500	8
18,20	30 X 21	13 X 8.5	.500	8