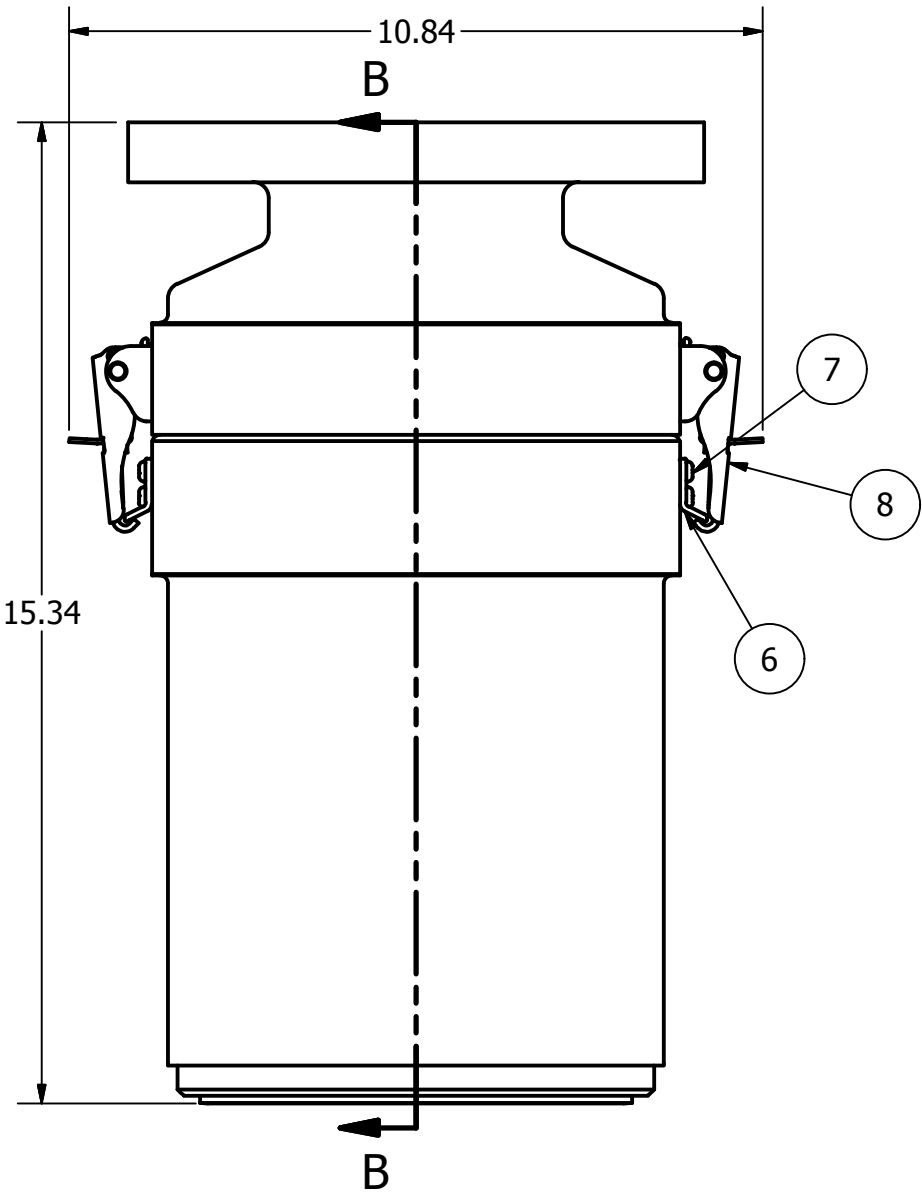
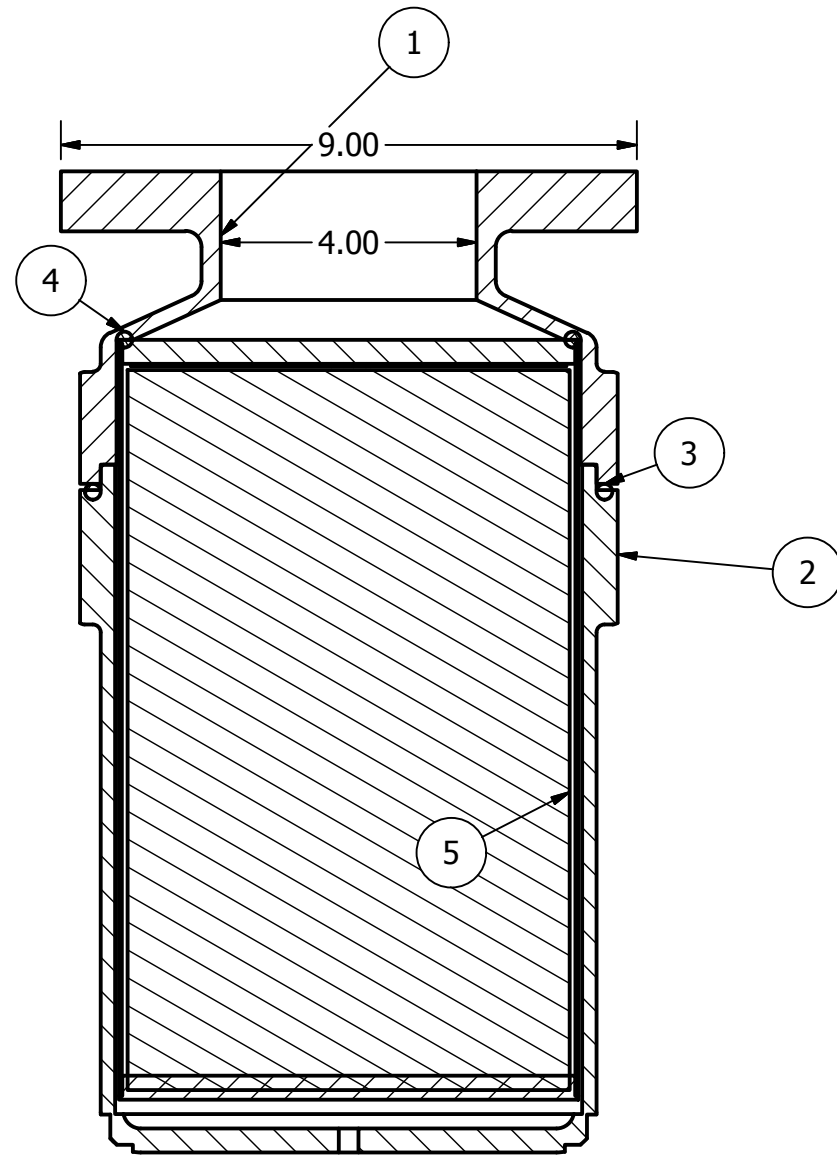


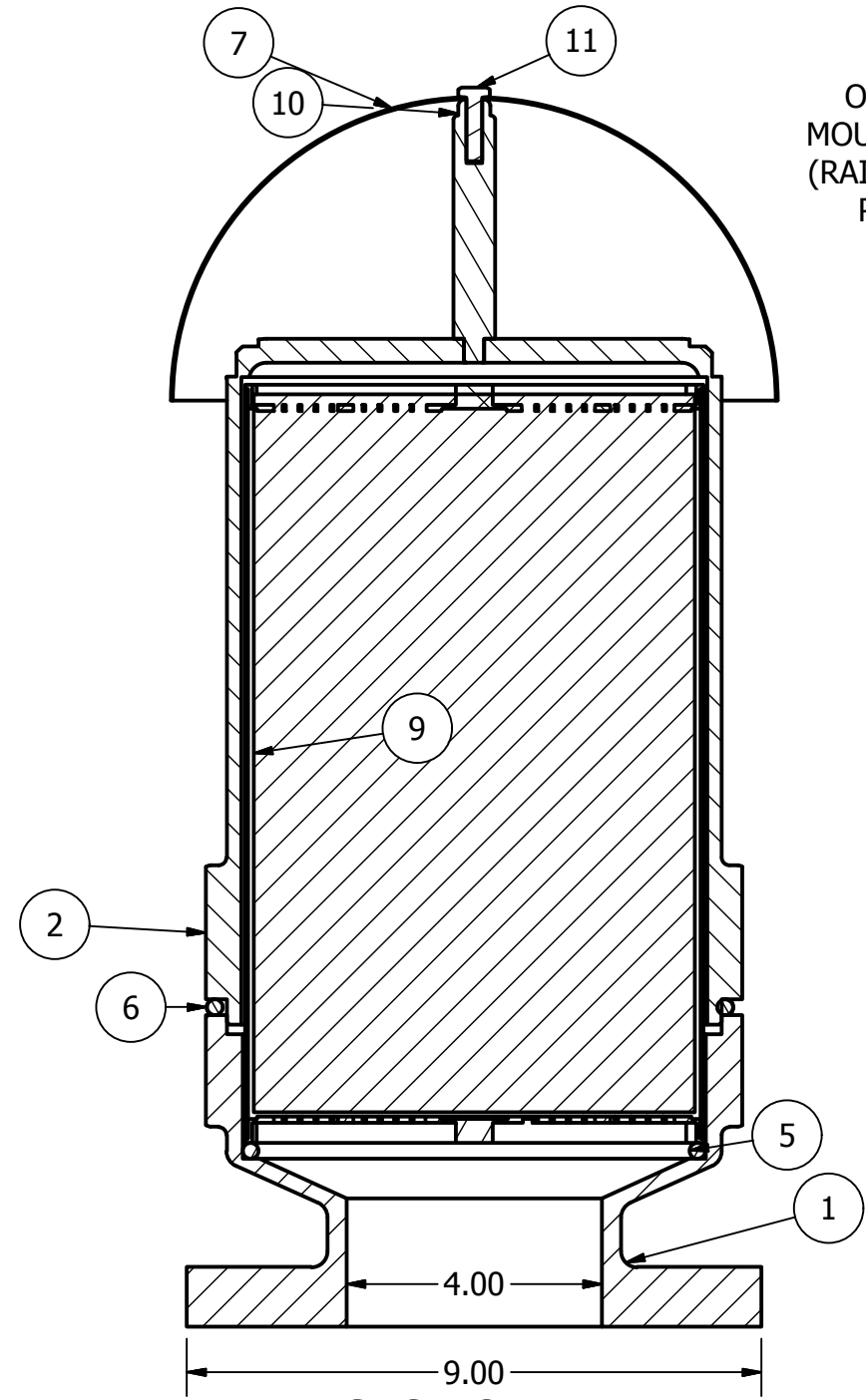
PARTS LIST			
ITEM	QTY	PART NUMBER	DESCRIPTION
1	1	1804AFFPC	ALUMINUM FLANGED BASE
2	1	1804ABF	ALUMINUM BASKET
3	1	OCI-1800-G	MEDIA GASKET
4	1	1804-G	BASKET GASKET
5	1	OCI-1800	MEDIA FILTER
6	2	SV-HOOK	SS LATCH CATCH
7	10	SCRW-8-32X3/8	SS LATCH PH. HD. SCREWS
8	2	SV-LATCH	SS LATCH



NORMAL INVERTED
MOUNTING POSITION
PN# 4-1800FAPC

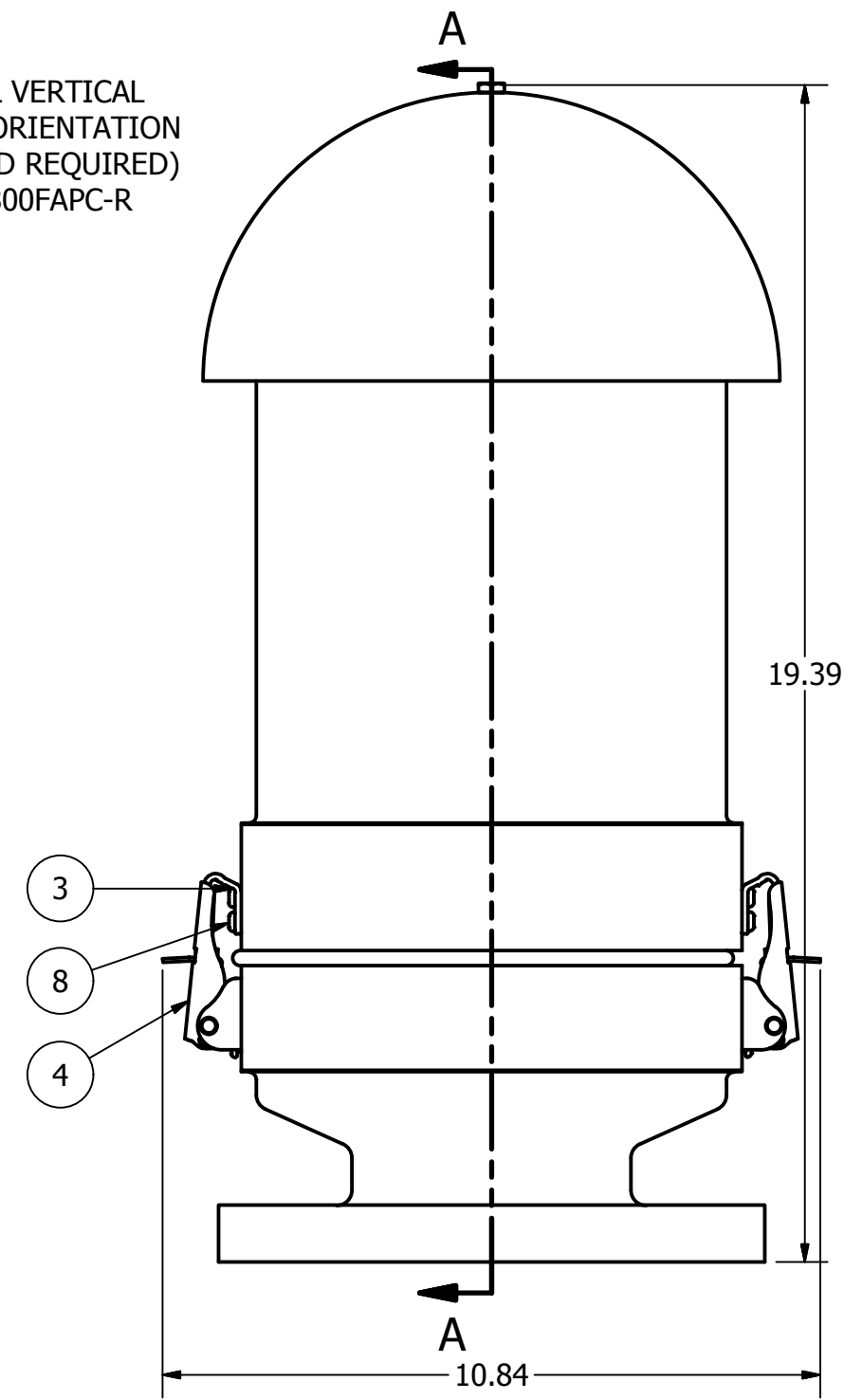


SECTION B-B
SCALE 1/3



SECTION A-A
SCALE 1/3

OPTIONAL VERTICAL
MOUNTING ORIENTATION
(RAIN SHIELD REQUIRED)
PN# 4-1800FAPC-R



PARTS LIST			
ITEM	QTY	PART NUMBER	DESCRIPTION
1	1	1804AFFPC	ALUMINUM FLANGED BASE
2	1	1804ABF	ALUMINUM BASKET
3	2	SV-HOOK	SS LATCH CATCH
4	2	SV-LATCH	SS LATCH
5	1	1804-G	BASKET GASKET
6	1	OCI-1800-G	MEDIA GASKET
7	1	FLT-9.5T-SS	SS RAIN SHIELD
8	10	SCRW-8-32X3/8	SS LATCH PH. HD. SCREW
9	1	OCI-1800	MEDIA FILTER
10	1	1800-RSR	.500" DIA. RAIN SHIELD MOUNTING ROD
11	1	BOLT-1/4-3/4	SS 1/4-20 x 1" HEX HEAD

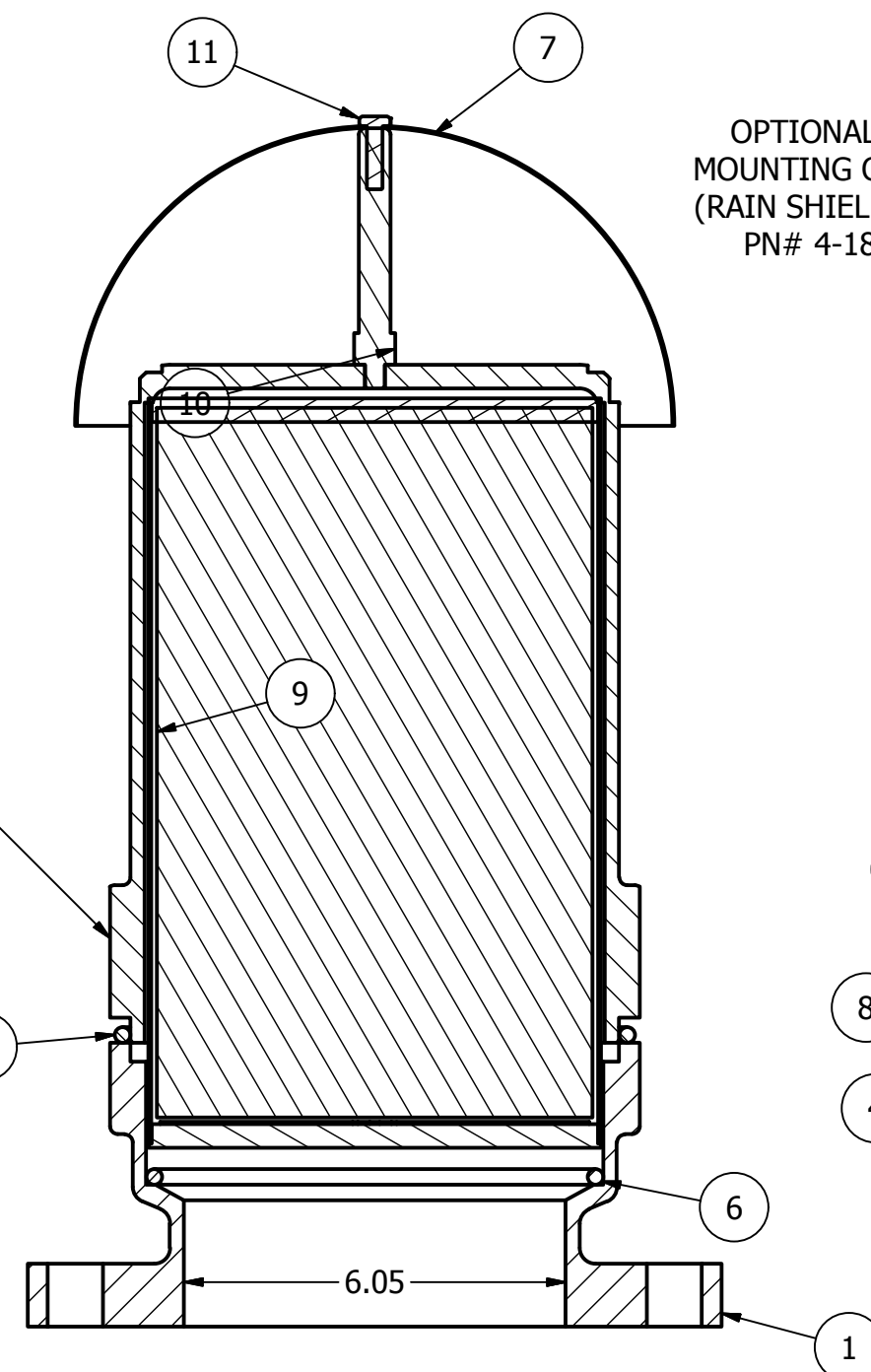
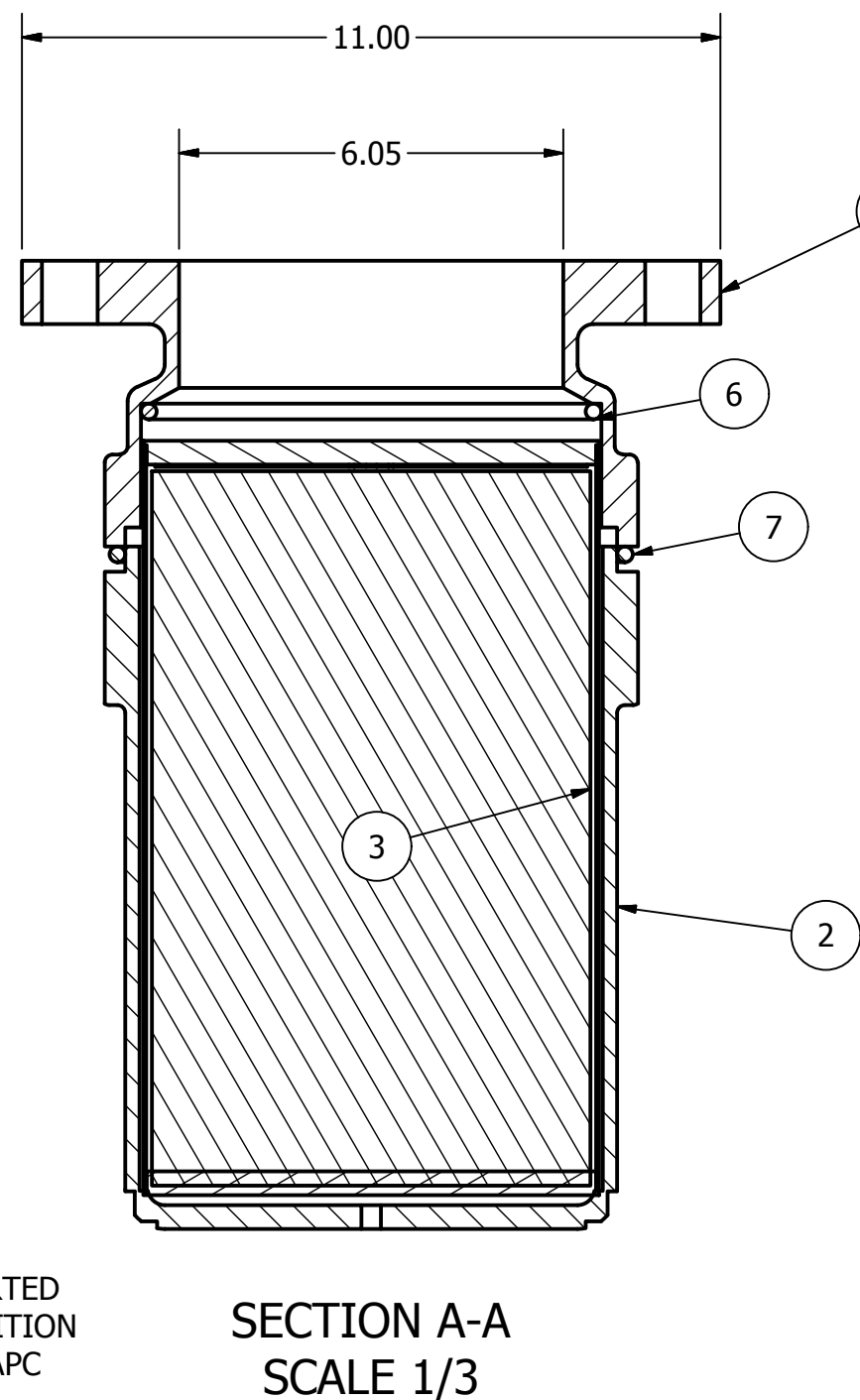
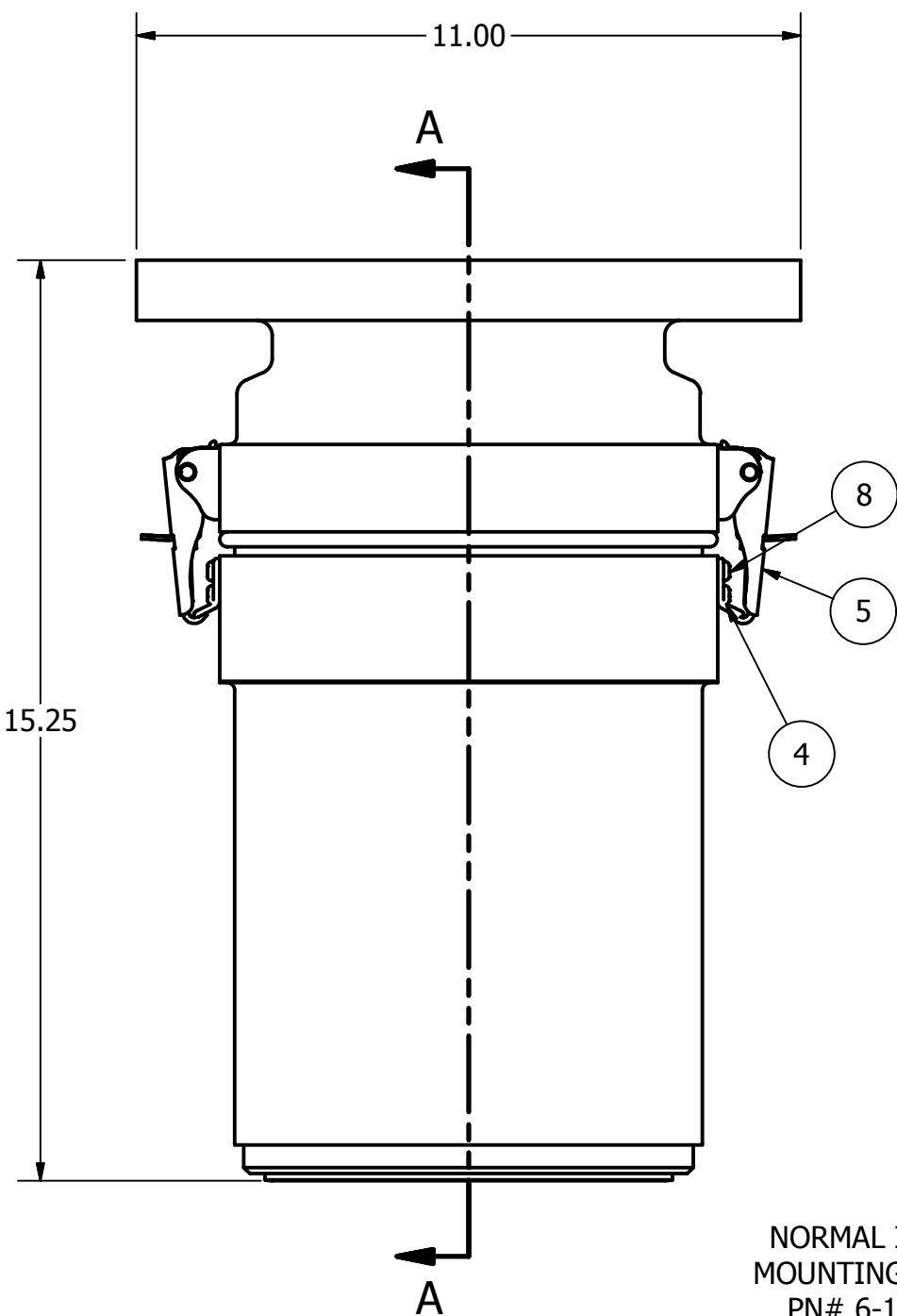
DRAWN SHARDY	1/27/2012
CHECKED	
QA	
MFG	
APPROVED	
SCALE	

ROBERT H. WAGER CO.

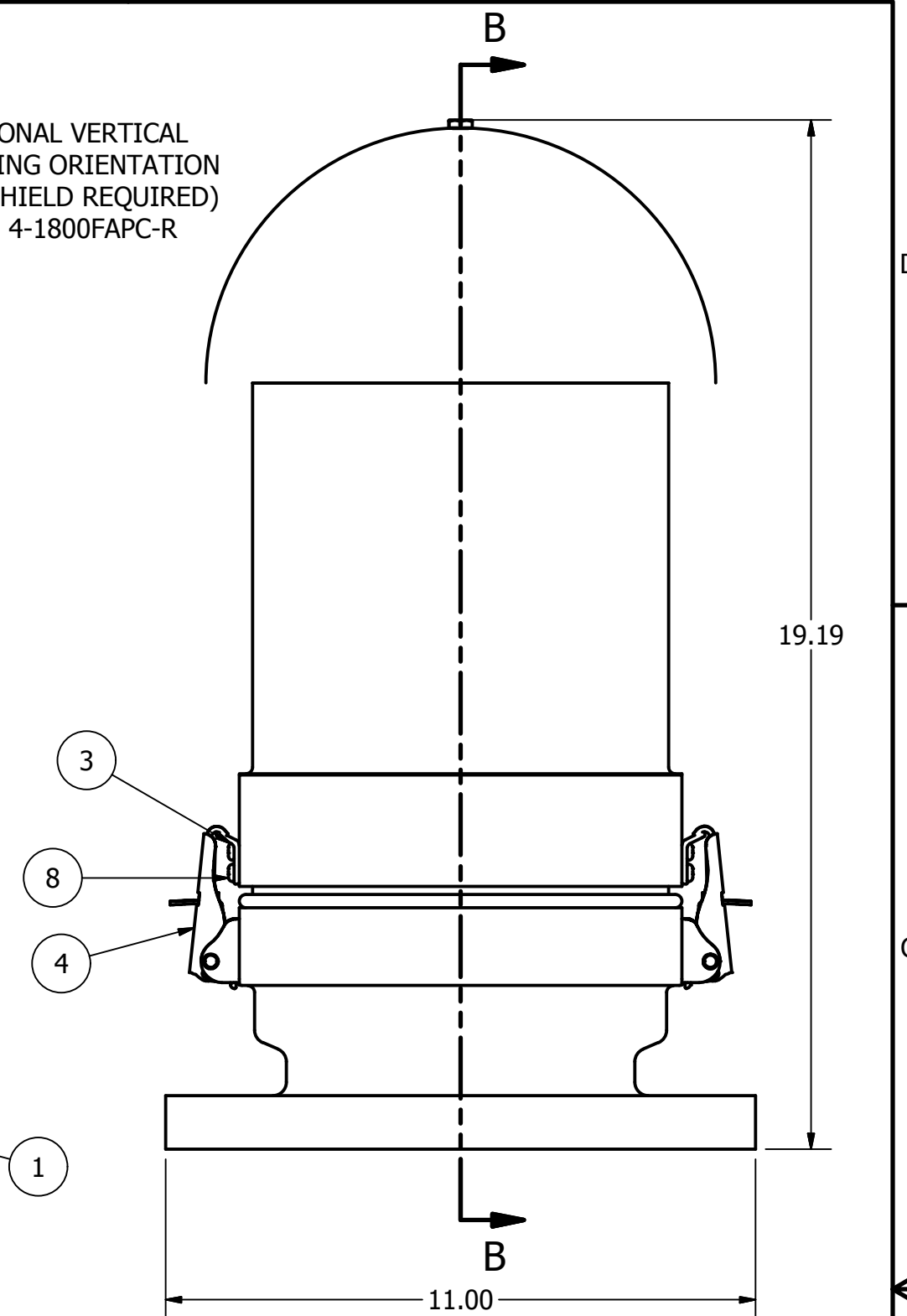
TITLE
**4-1800 VERTICAL AND
INVERTED SEWER VENT**

SIZE C	DWG NO 4-1800FAPC-4-1800FAPC-R	REV
SCALE		SHEET 1 OF 1

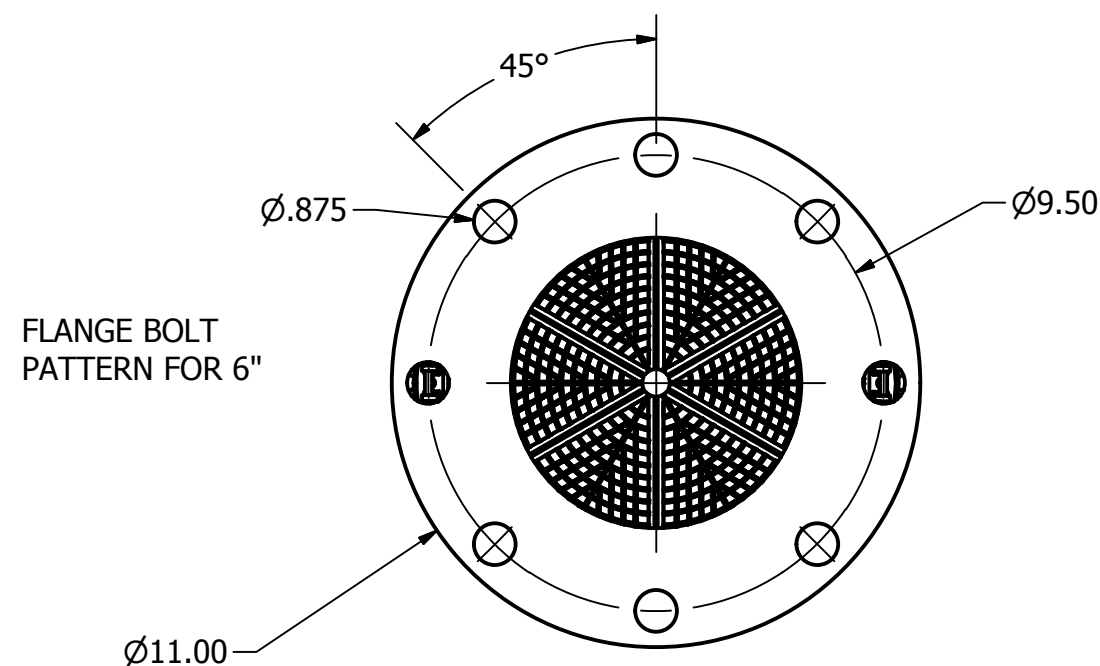
PARTS LIST			
ITEM	QTY	PART NUMBER	DESCRIPTION
1	1	1806AFFPC	ALUMINUM FLANGED BASE
2	1	1804ABF	ALUMINUM BASKET
3	1	OCI-1800	MEDIA FILTER
4	2	SV-HOOK	SS LATCH CATCH
5	2	SV-LATCH	SS LATCH
6	1	1804-G	BASKET GASKET
7	1	OCI-1800-G	MEDIA GASKET
8	10	SCRW-8-32X3/8	SS LATCH PH. HD. SCREWS



OPTIONAL VERTICAL MOUNTING ORIENTATION
(RAIN SHIELD REQUIRED)
PN# 4-1800FAPC-R



PARTS LIST			
ITEM	QTY	PART NUMBER	DESCRIPTION
1	1	1806AFFPC	ALUMINUM FLANGED BASE
2	1	1804ABF	ALUMINUM BASKET
3	2	SV-HOOK	SS LATCH CATCH
4	2	SV-LATCH	SS LATCH
5	1	1804-G	BASKET GASKET
6	1	OCI-1800-G	MEDIA GASKET
7	1	FLT-9.5T-SS	SS RAIN SHIELD
8	10	SCRW-8-32X3/8	SS LATCH PH. HD. SCREW
9	1	OCI-1800	MEDIA FILTER
10	1	1800-RSR	.500" DIA. RAIN SHIELD MOUNTING ROD
11	1	BOLT-1/4-3/4	SS 1/4-20 x 1" HEX HEAD



DRAWN shardy	10/23/2013
CHECKED	
QA	
MFG	
APPROVED	
SCALE	

ROBERT H. WAGER CO., INC.

TITLE
**6-1800 VERTICAL AND
INVERTED SEWER VENT**

SIZE C	DWG NO 6-1800FAPC-6-1800FAPC-R	REV
SHEET 1 OF 1		