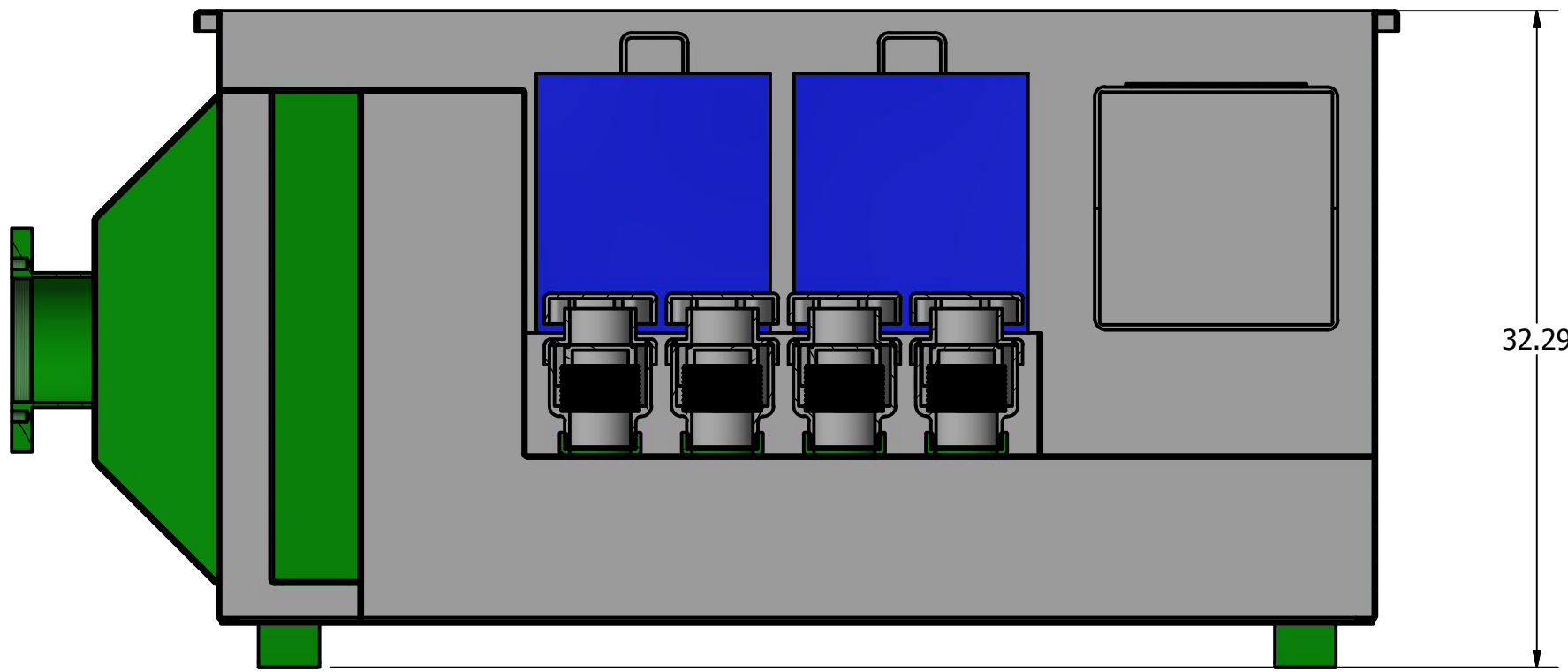
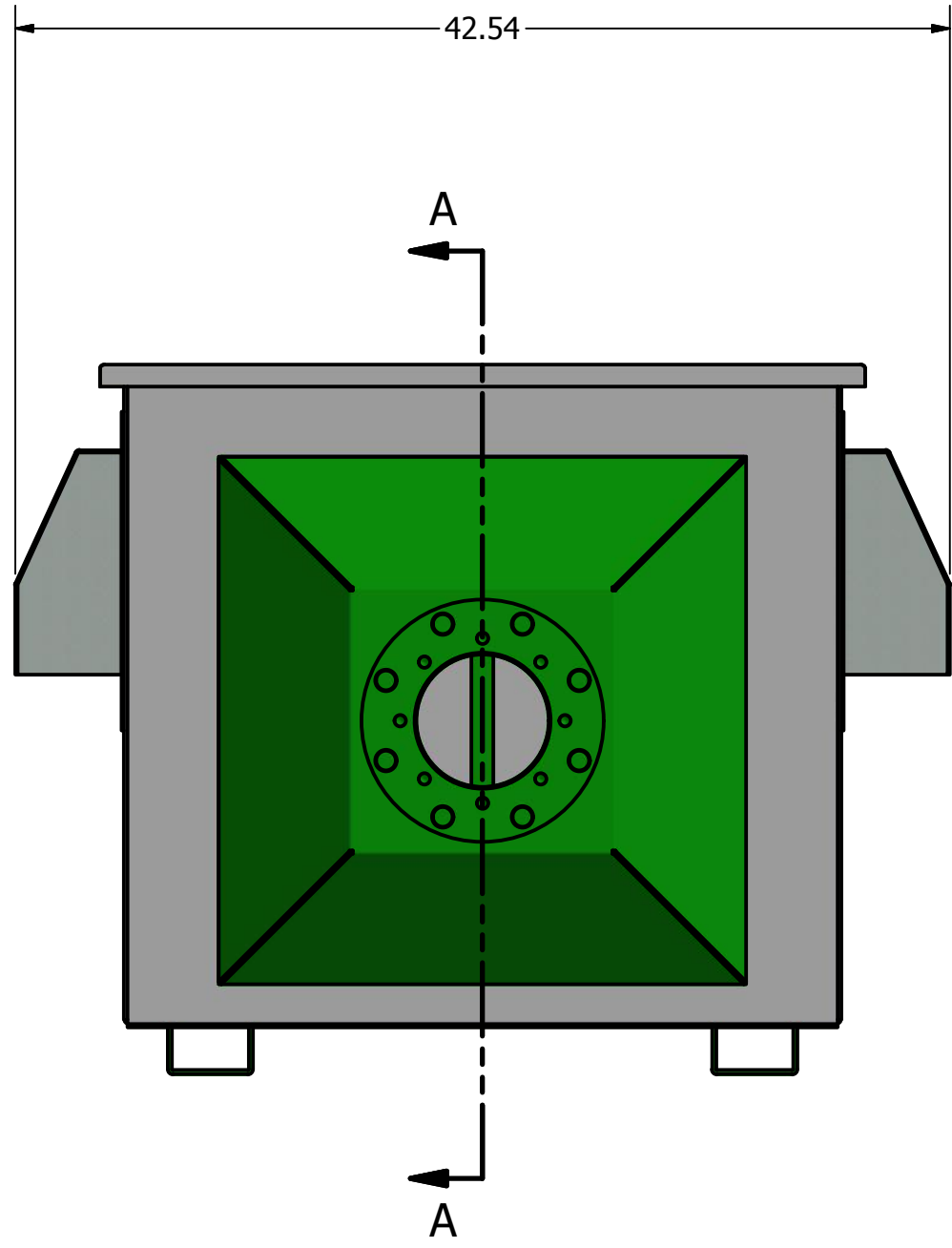


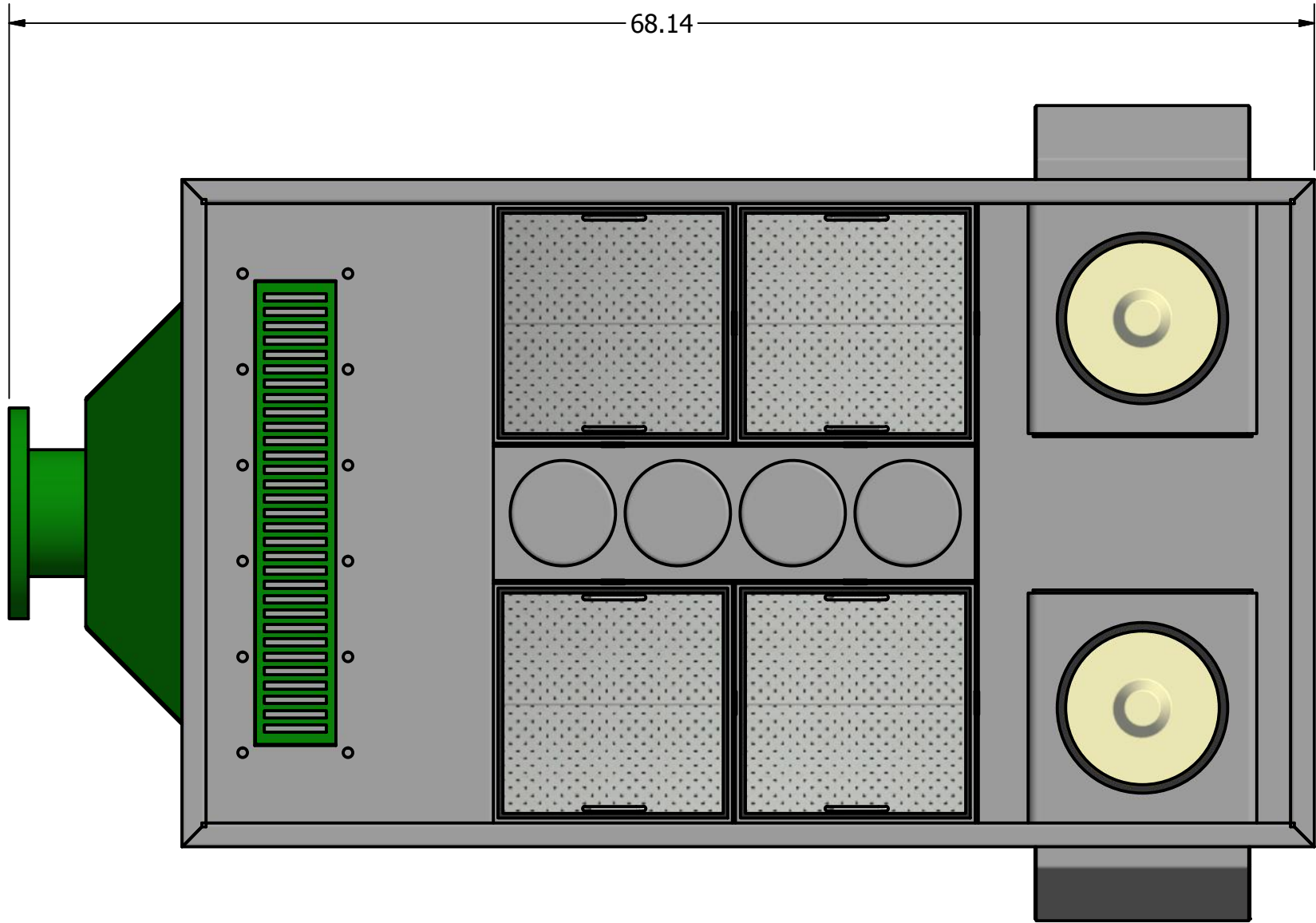
4 3 2 1

D
C
B
A

D
C
B
A



SECTION A-A
SCALE 0.12 : 1



DRAWN shardy	8/15/2019			
CHECKED		TITLE		
QA				
MFG				
APPROVED				
		SIZE C	DWG NO 2050-200-IP	REV
		SCALE 0.12 : 1	SHEET 1 OF 1	

4 3 2 1