

Robert H Wager Co., Inc.

570 Montroyal Road
 Rural Hall, NC 27045
 Ph: 800-562-7024
 Fx: 336-969-6375
 www.wagerusa.com

Uncontrolled Copy

(For Reference Only)

1750 Series (w/ Half Float)

When Ordering, Please Specify:
 Body Material, Connection, and Float Material

Body Materials:

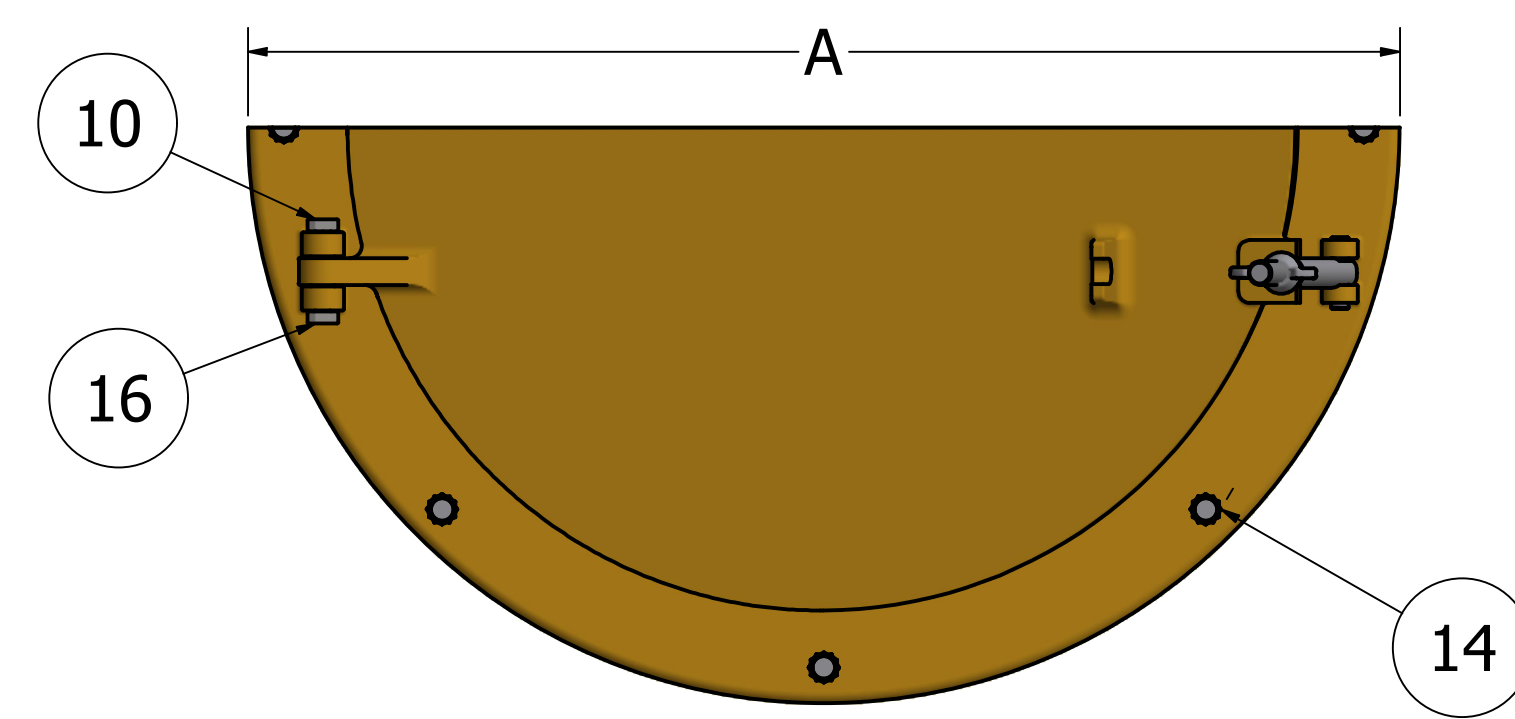
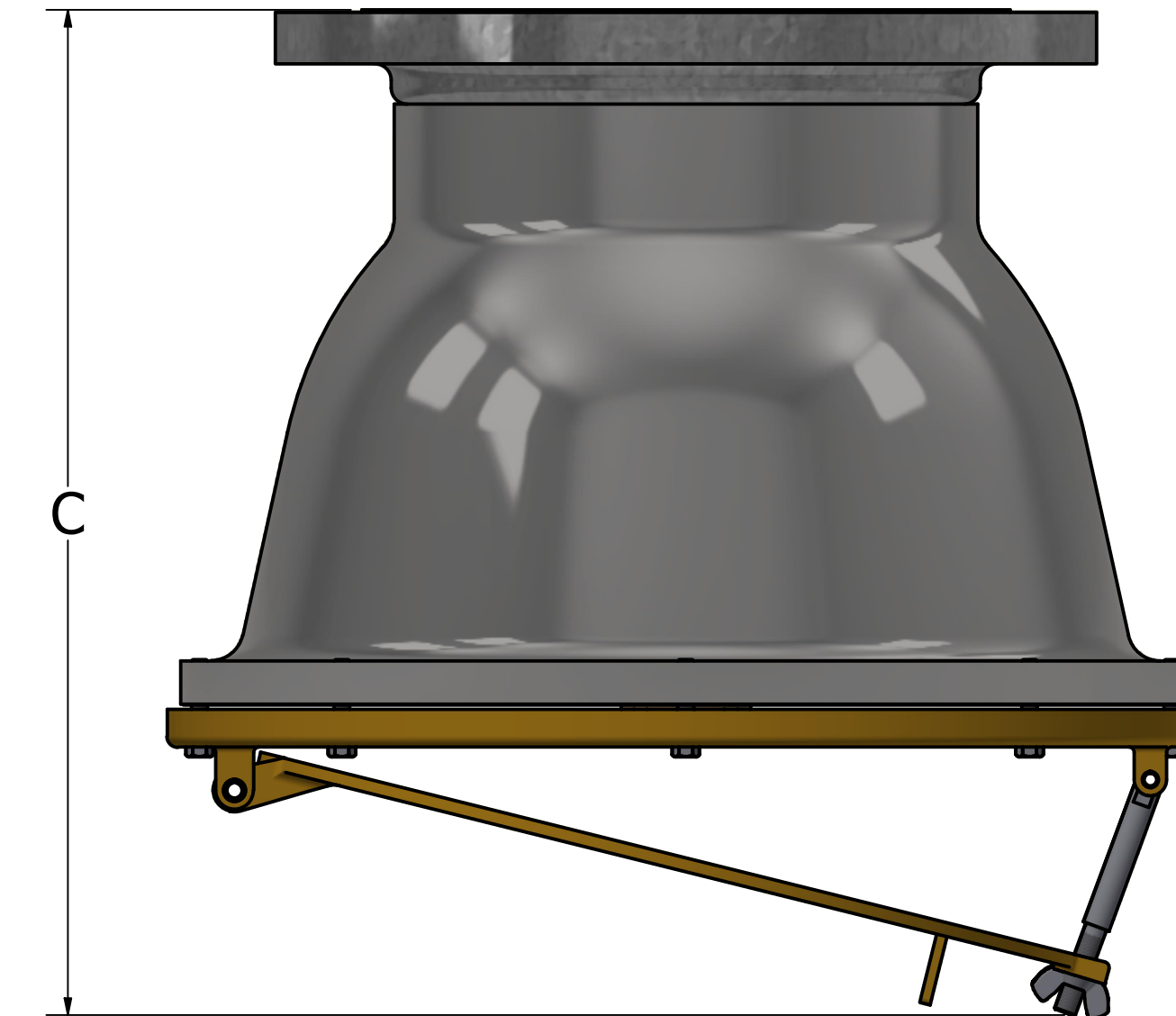
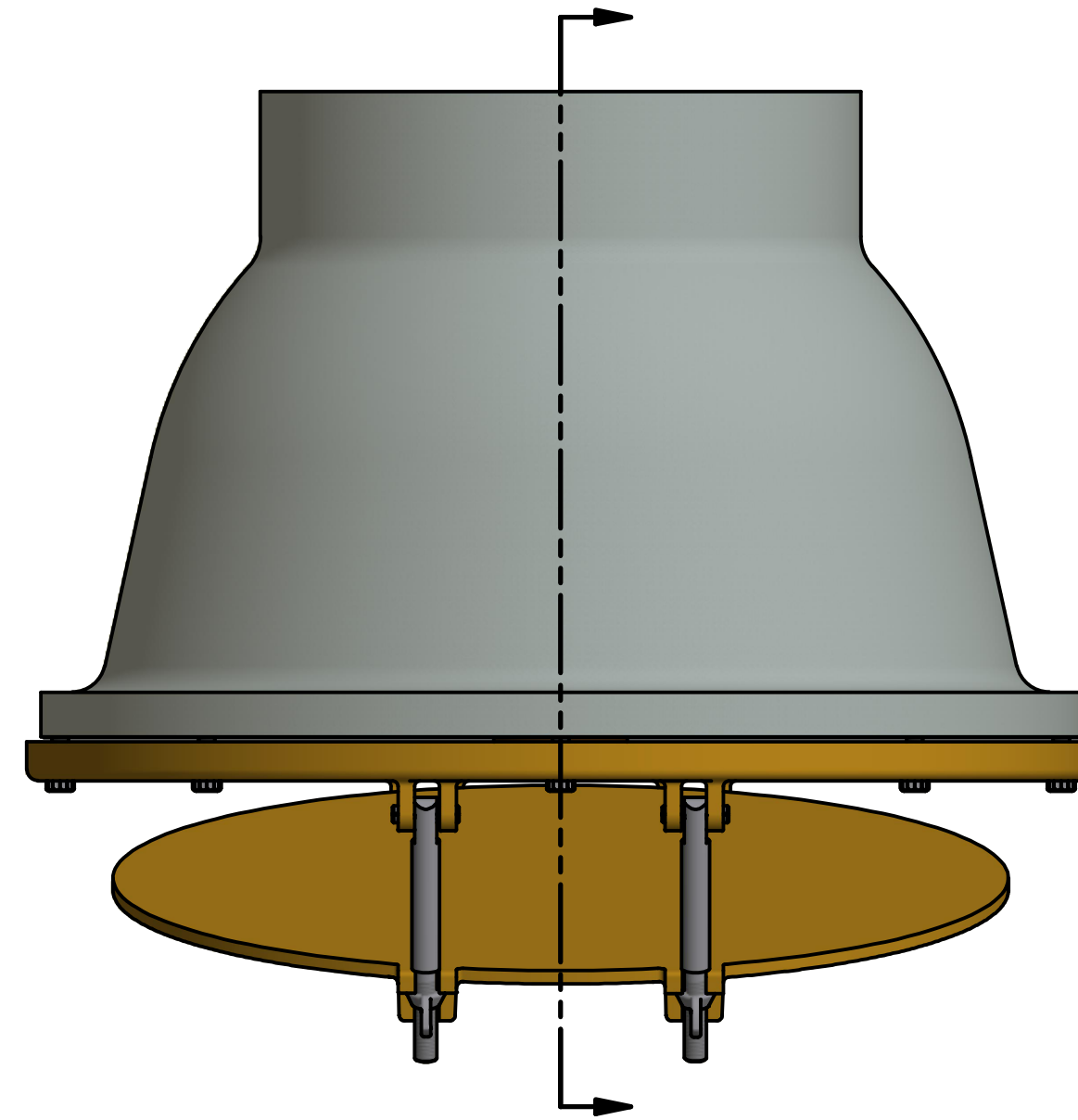
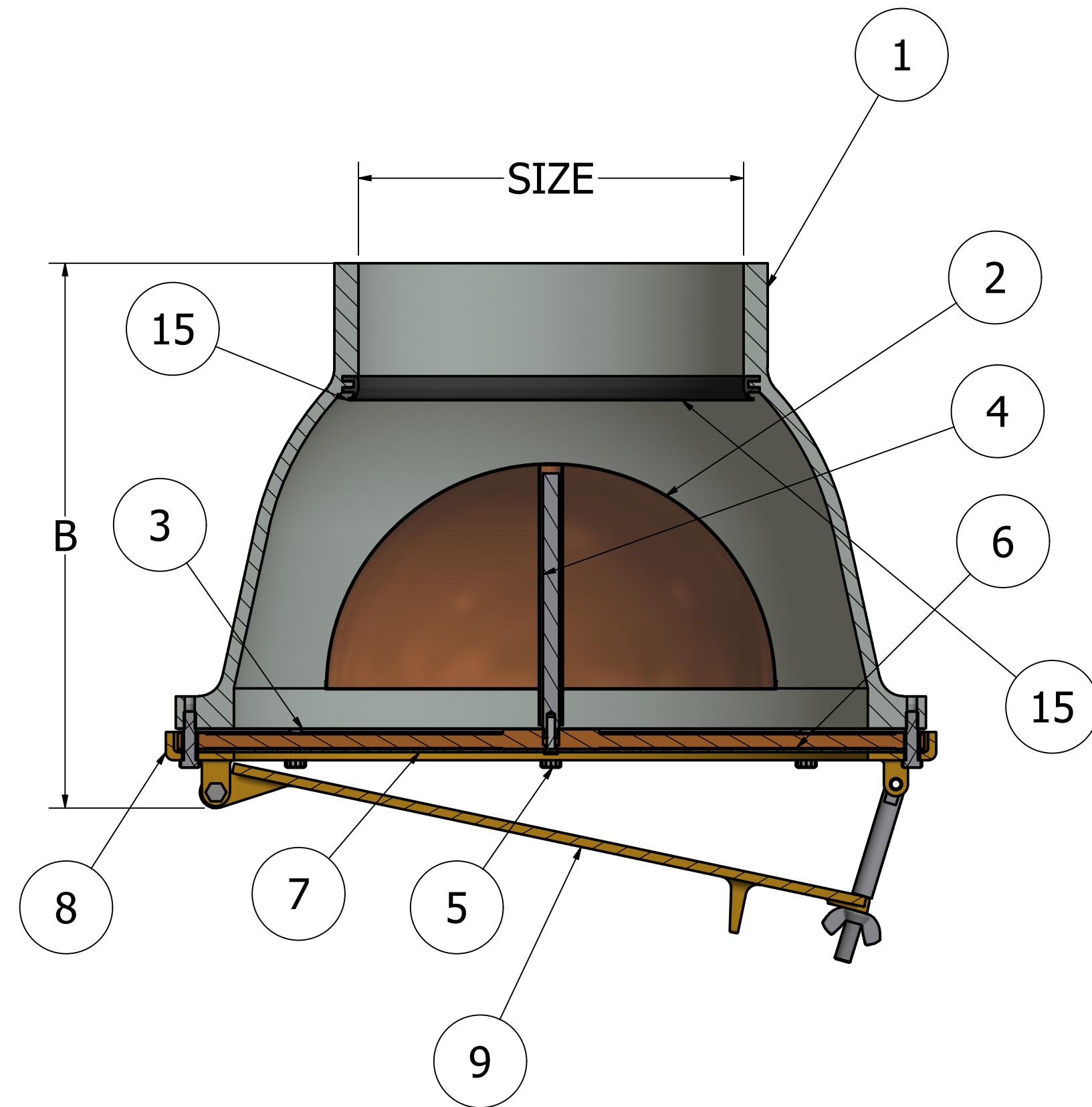
- 1020 Galvanized Steel
- Bronze (ASTM-B62) (Up to 10" size)
- Stainless Steel (316)
- Aluminum (356-T6) (Up to 8" size)

Float Materials:

- 316 Stainless Steel
- Copper (Standard)
- High Density Polyethylene (Plastic)
- Monel

Connections:

- Threaded
- Buttweld (Steel & Stainless, & Alum. Only)
- Socketweld (Steel, Stainless, & Alum. Only)
- Flanged
- Sil-Brazed (Bronze Only)



Parts List		
ITEM	QTY	NAME OF PART
1	1	BODY
2	1	FLOAT
3	1	FLAME SCREEN
4	1	GUIDE ROD
5	1	G.R. MOUNTING BOLT
6	1	FLOAT SUPPORT
7	1	PROTECTIVE SCREEN
8	1	COVER FRAME
9	1	COVER
10	2	* COVER HINGE BOLT-F
11	2	TOGGLE BOLT PIN
12	2	TOGGLE BOLT
13	2	TOGGLE BOLT WING NUT
14	*	COVER MOUNTING BOLT
16	2	* COVER HINGE BOLT-M
8	1	1705STF

Parts List							
SIZE	A	B	C	WEIGHT	W/ FLNG	HOLES	HOLE SIZE
5	10.125	12.000	12.750	38 (LB.)	52 (LB.)	8	.875
6	11.375	13.500	14.375	55	74	8	.875
8	14.250	14.250	15.375	85	117	8	.875
10	17.000	18.844	20.125	100	138	12	1.000
12	24.000	21.750	23.25	248	313	12	1.000
14	30.500	26.500	27.625	390	450	12	1.125
16	30.500	26.500	27.625	370	470	16	1.125

*WEIGHTS LISTED ARE FOR STEEL AND STAINLESS, APPROXIMATIONS.

* 5" HAS (5) MOUNTING BOLTS
 6" & 8" HAVE (6) MOUNTING BOLTS
 10" THRU 16" HAVE (8) MOUNTING BOLTS
 * HINGE PINS CHANGED TO MALE/FEMALE LOCKING BOLTS