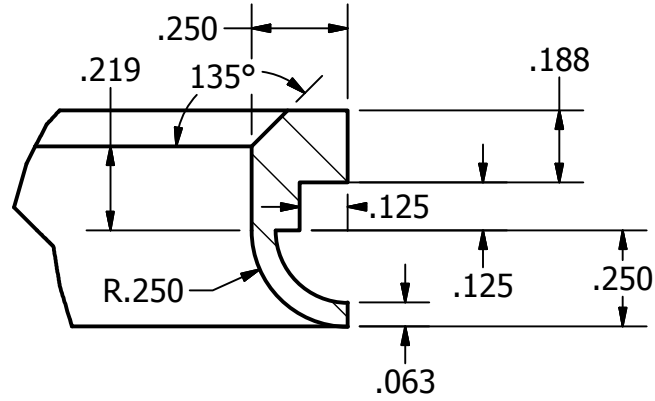


SECTION A-A
SCALE 1 : 1



DETAIL B
SCALE 2 : 1

SIZE CHART					
P/N REF.	A	B	C	D	LENGTH
1.5	1.500	1.750	2.000	2.000	6.283
2	2.000	2.250	2.500	2.500	7.854

DRAWN SHARDY	10/13/2008	ROBERT H. WAGER CO., INC.			
CHECKED		TITLE			
QA		IVC VALVE - SEAT - 1.5-2			
MFG		SIZE	DWG NO	REV	
APPROVED		A	SEAT-PROFILE-1.5-2		
		SCALE	SHEET 1 OF 1		

4

3

2

1

D

D

C

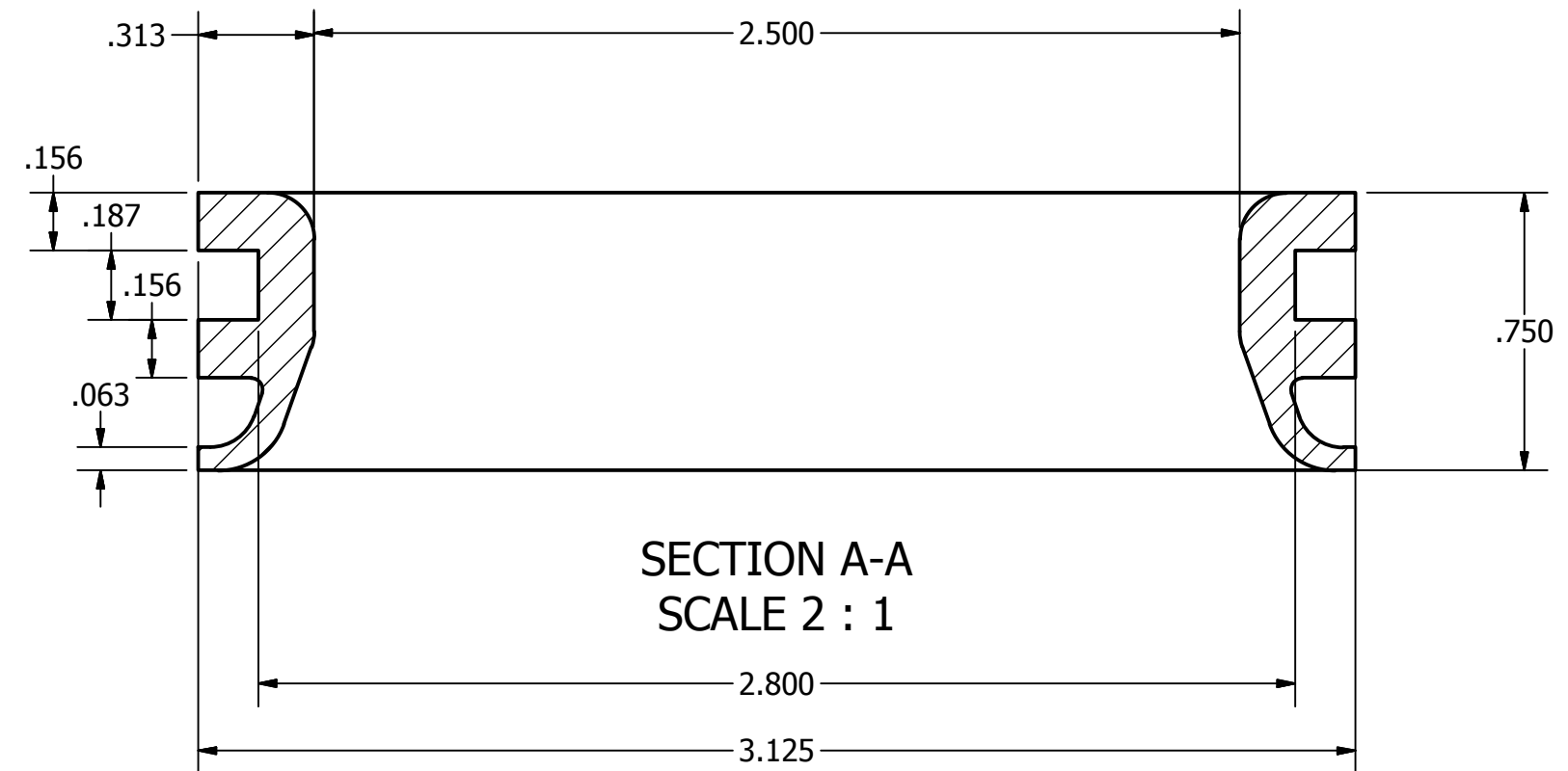
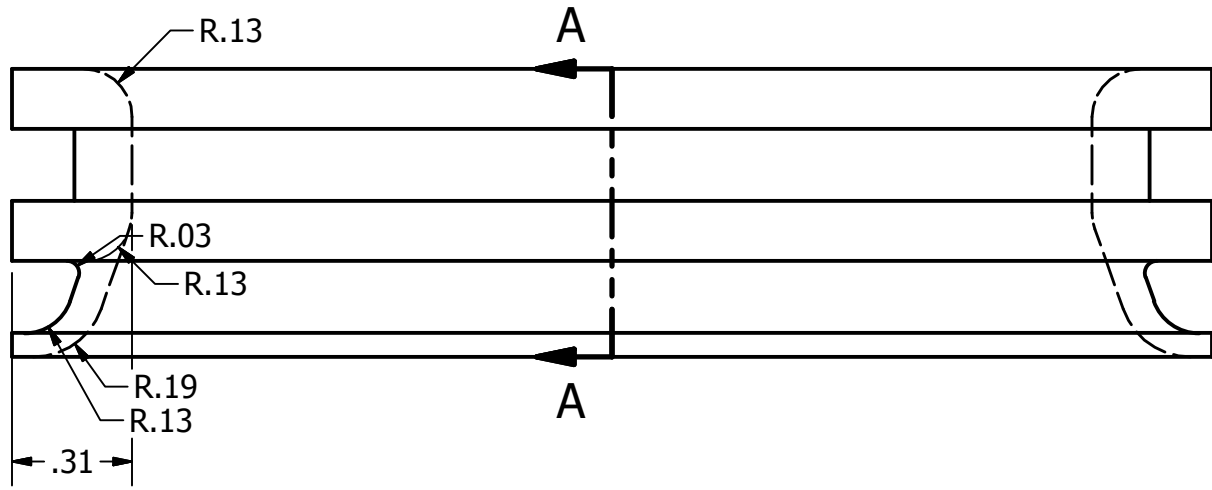
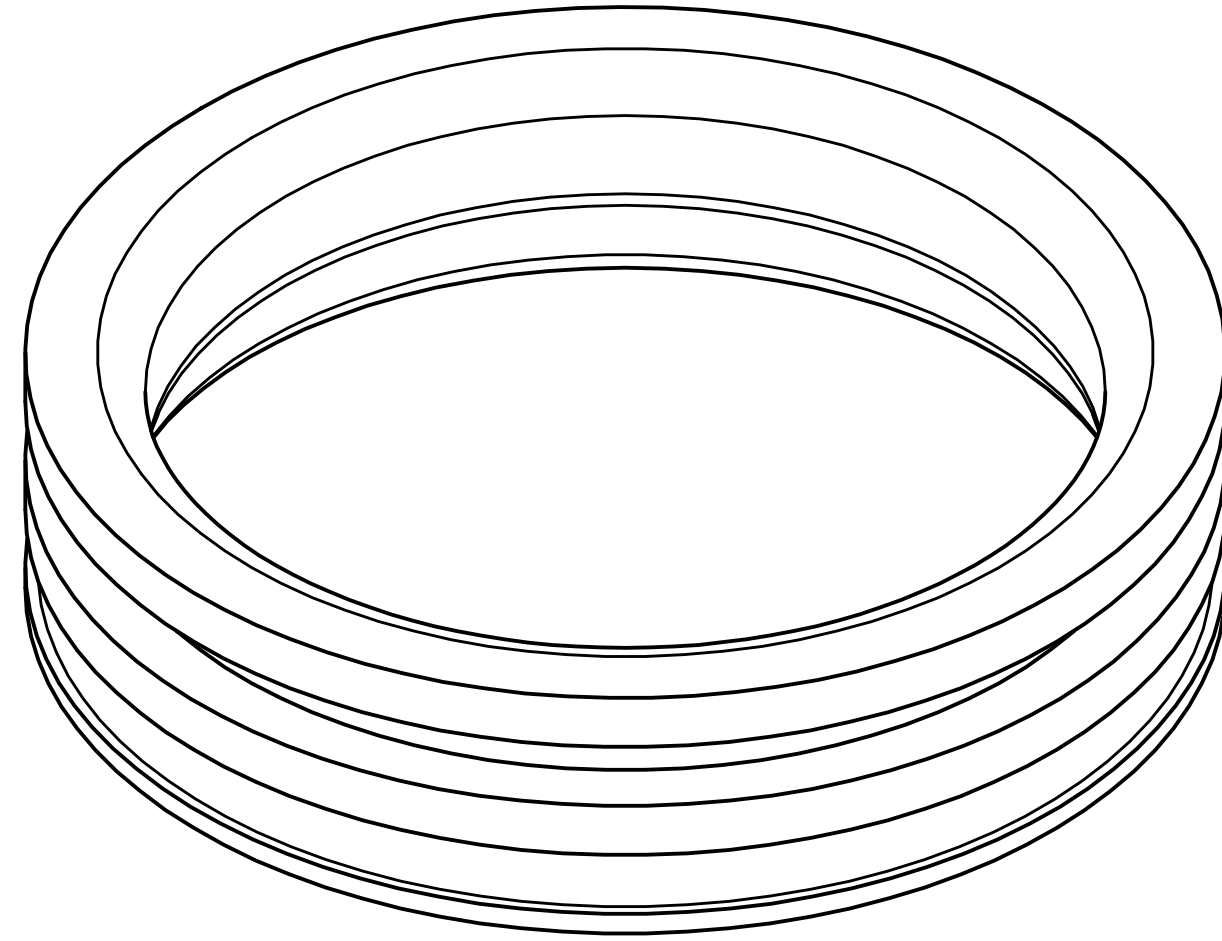
C

B

B

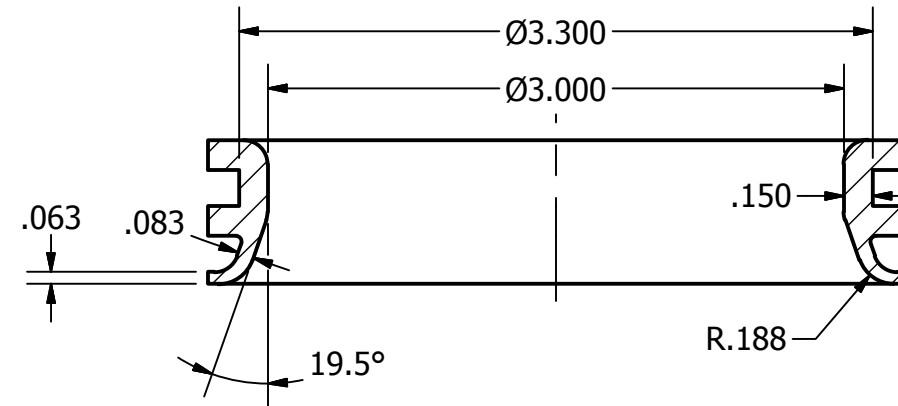
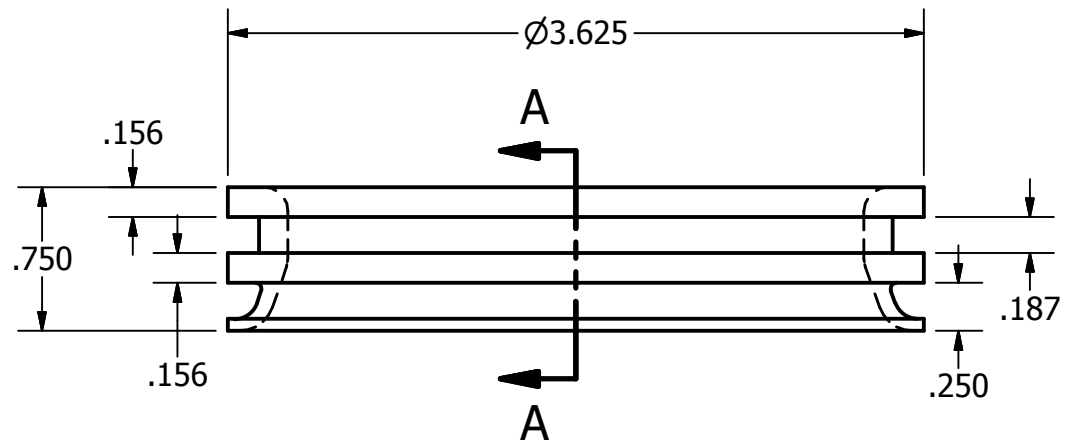
A

A

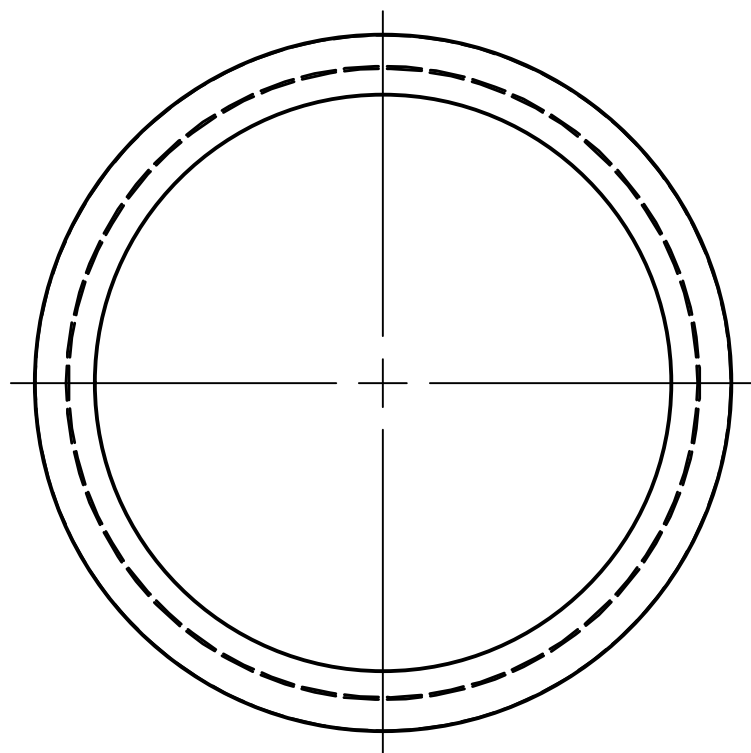


MATERIAL- NEOPRENE DURO 60

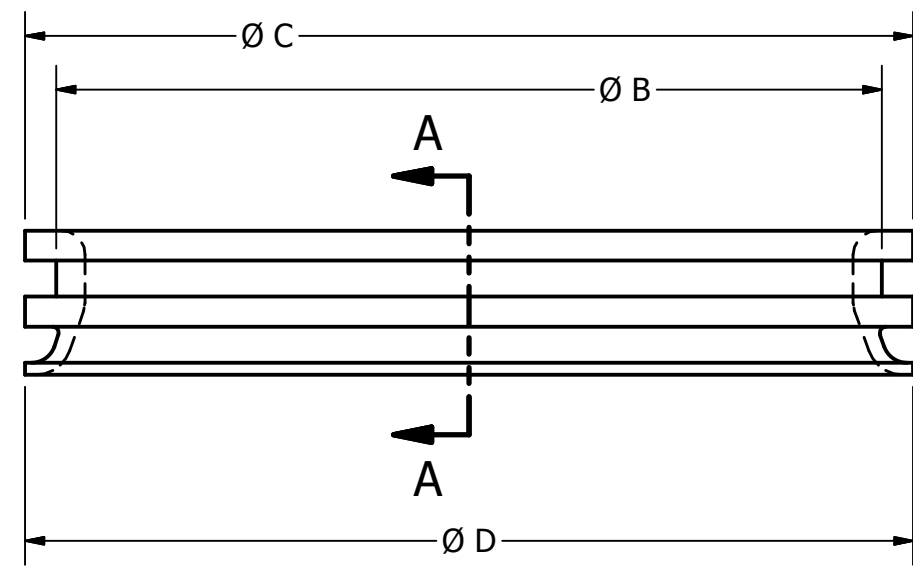
DRAWN shardy	7/25/2011	ROBERT H. WAGER CO.		
CHECKED		TITLE		
QA		2.5-1700 RUBBER SEAT		
MFG		SIZE	DWG NO	REV
APPROVED		C	SEAT-2.5N-I	
		SCALE	SHEET 1 OF 1	



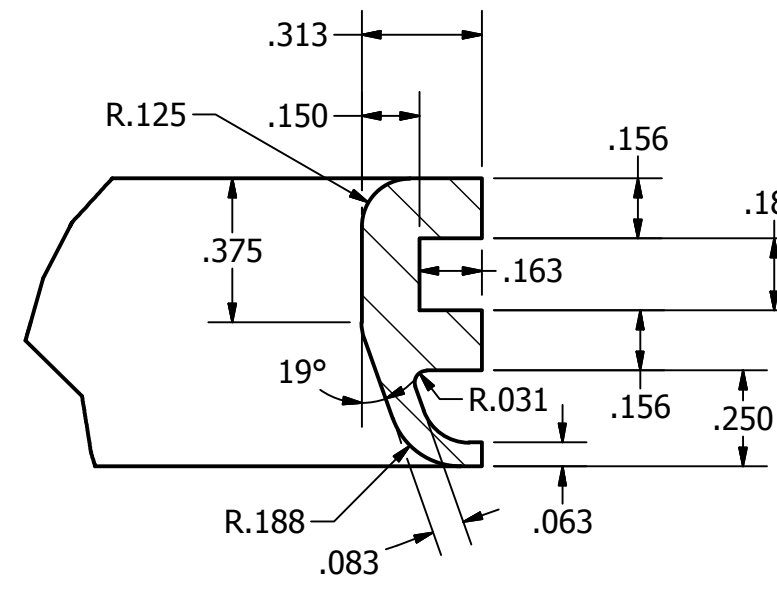
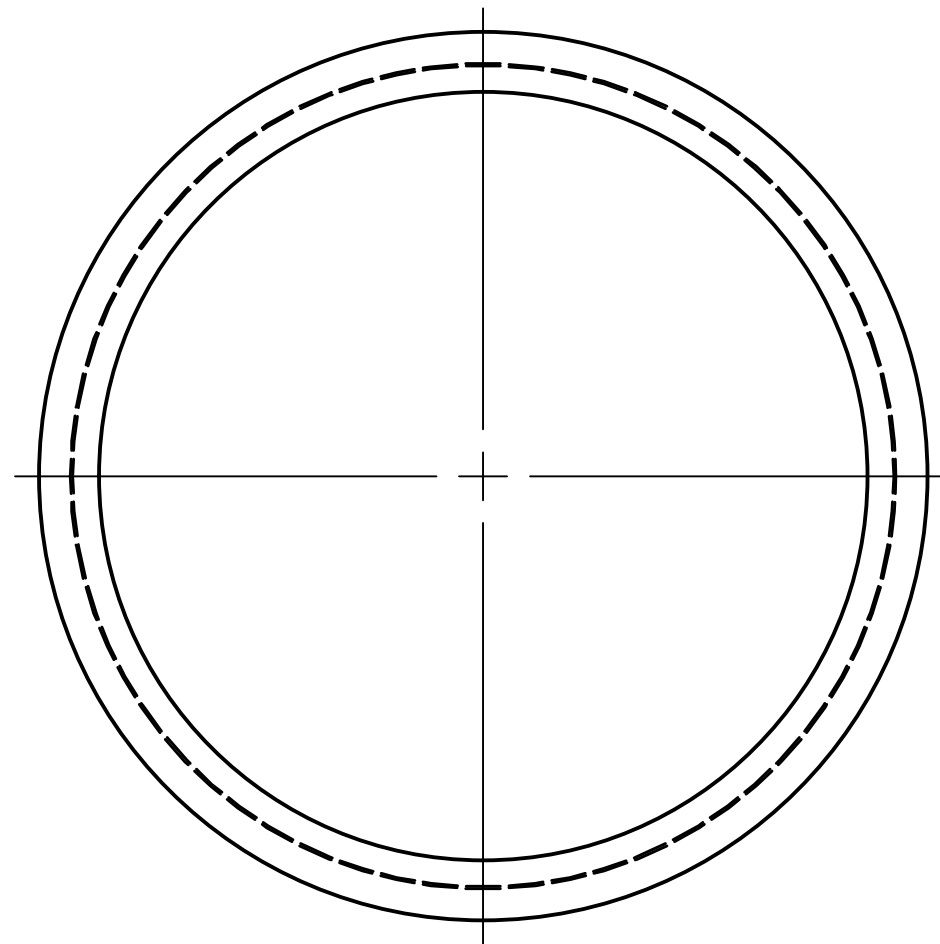
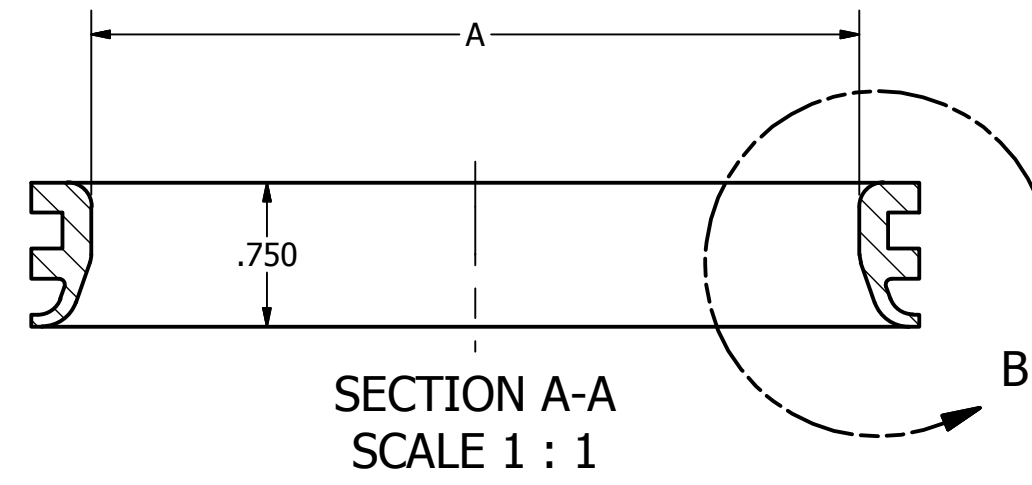
SECTION A-A
SCALE 1 : 1



DRAWN SHARDY	1/27/2011	Robert H. Wager Co., Inc.		
CHECKED		TITLE		
QA		3"- IVC SEAT- BUNA		
MFG		SIZE	DWG NO	REV
APPROVED		B	SEAT-3	
		SCALE	SHEET 1 OF 1	



"A" DIMENSION IN THREE SIZES - Ø2.500", Ø3.000", Ø4.000"

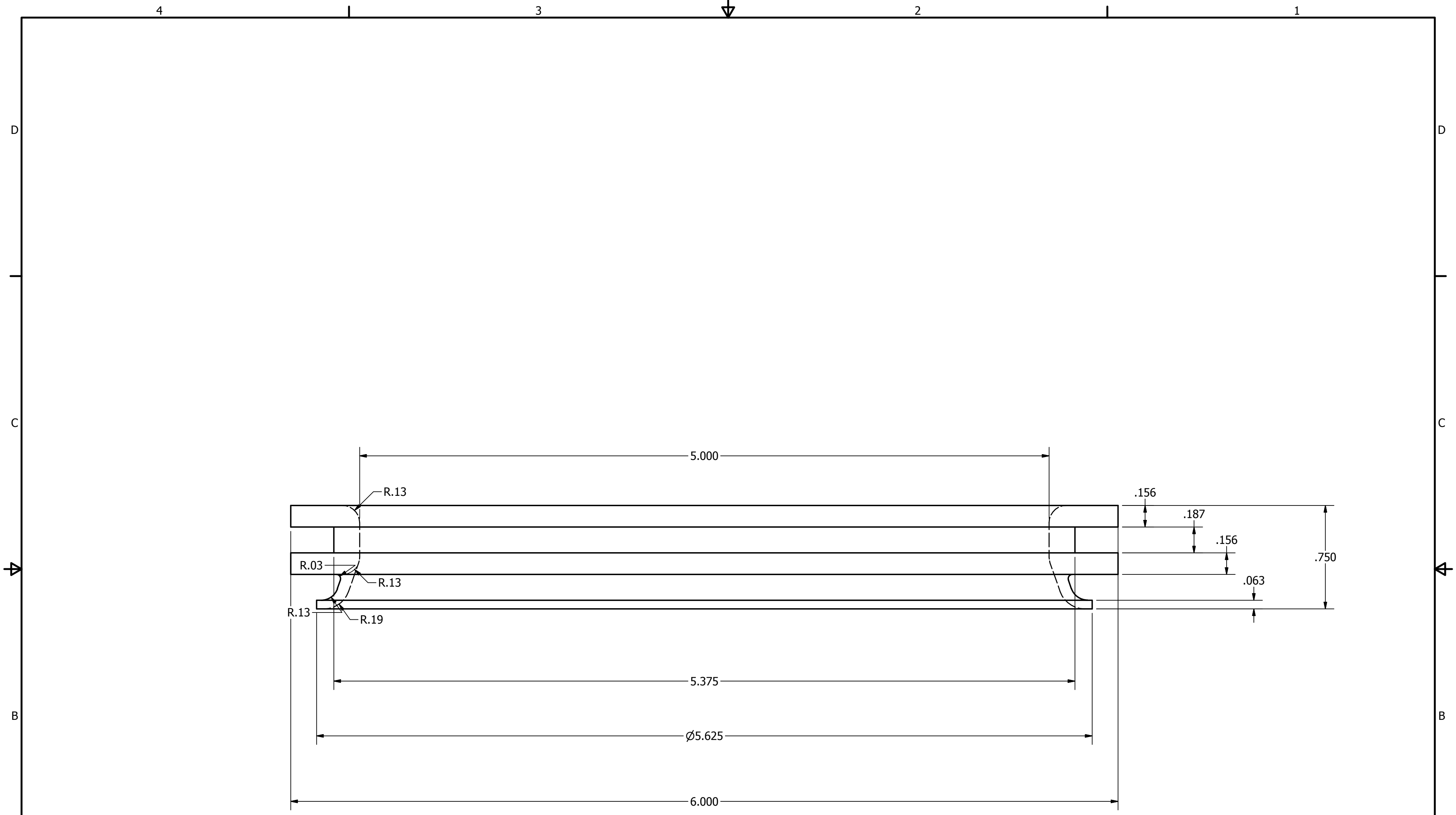


DETAIL B
SCALE 2 : 1

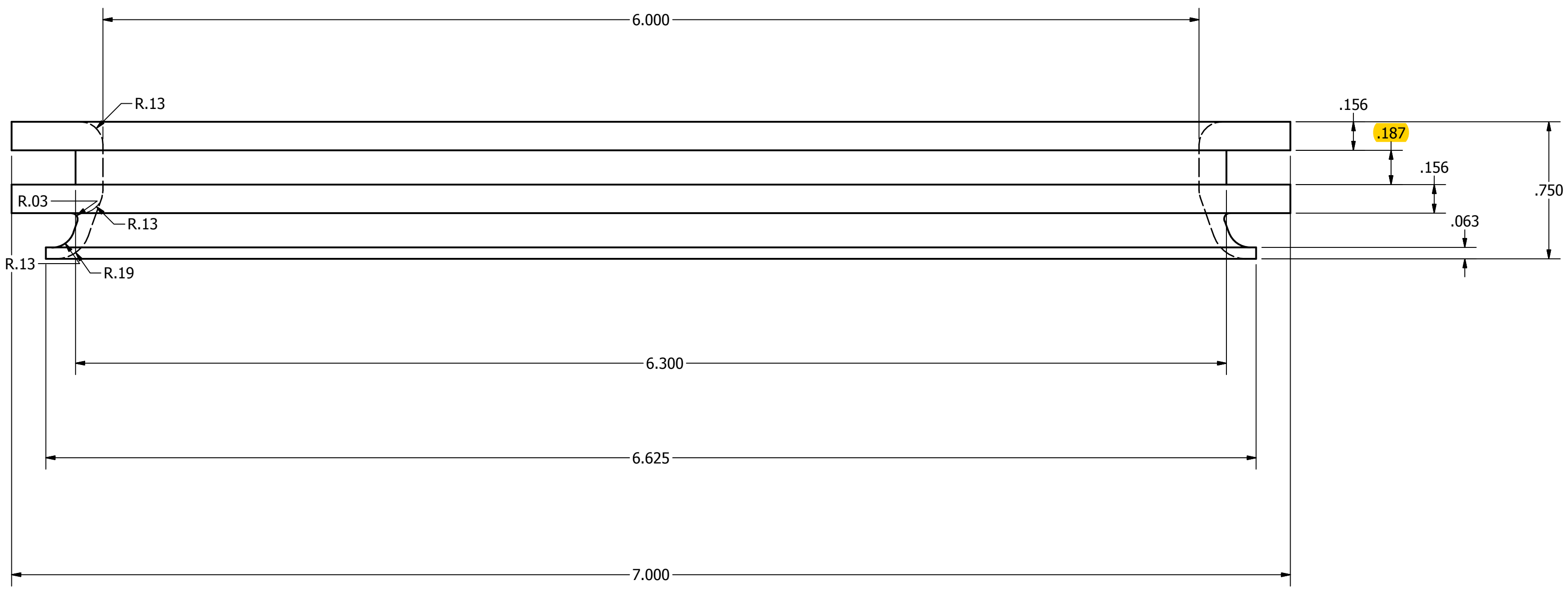
TABLE

P/N REF.	A	B	C	D	LENGTH
2.5	2.5	2.8	3.125	3.125	9.032
3	3	3.3	3.625	3.625	11.387
4	4	4.3	4.625	4.625	13.745

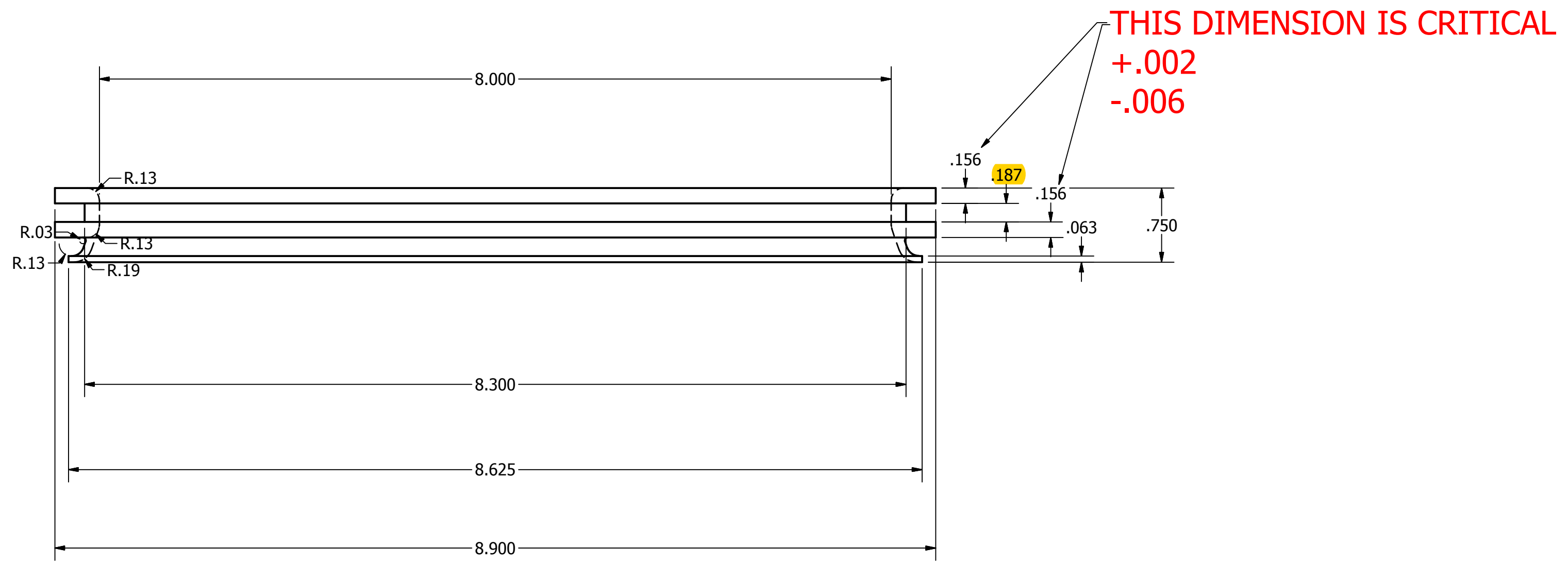
DRAWN smh	10/13/2008	ROBERT H. WAGER CO., INC.		
CHECKED		TITLE		
QA		IVC VALVE - SEAT - 2.5-3-4		
MFG		SIZE C	DWG NO SEAT-PROFILE	REV
APPROVED		SCALE	SHEET 1 OF 1	



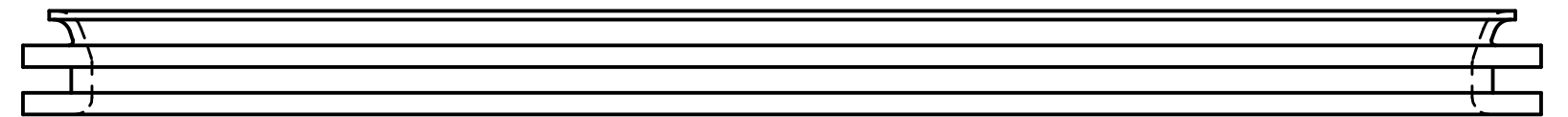
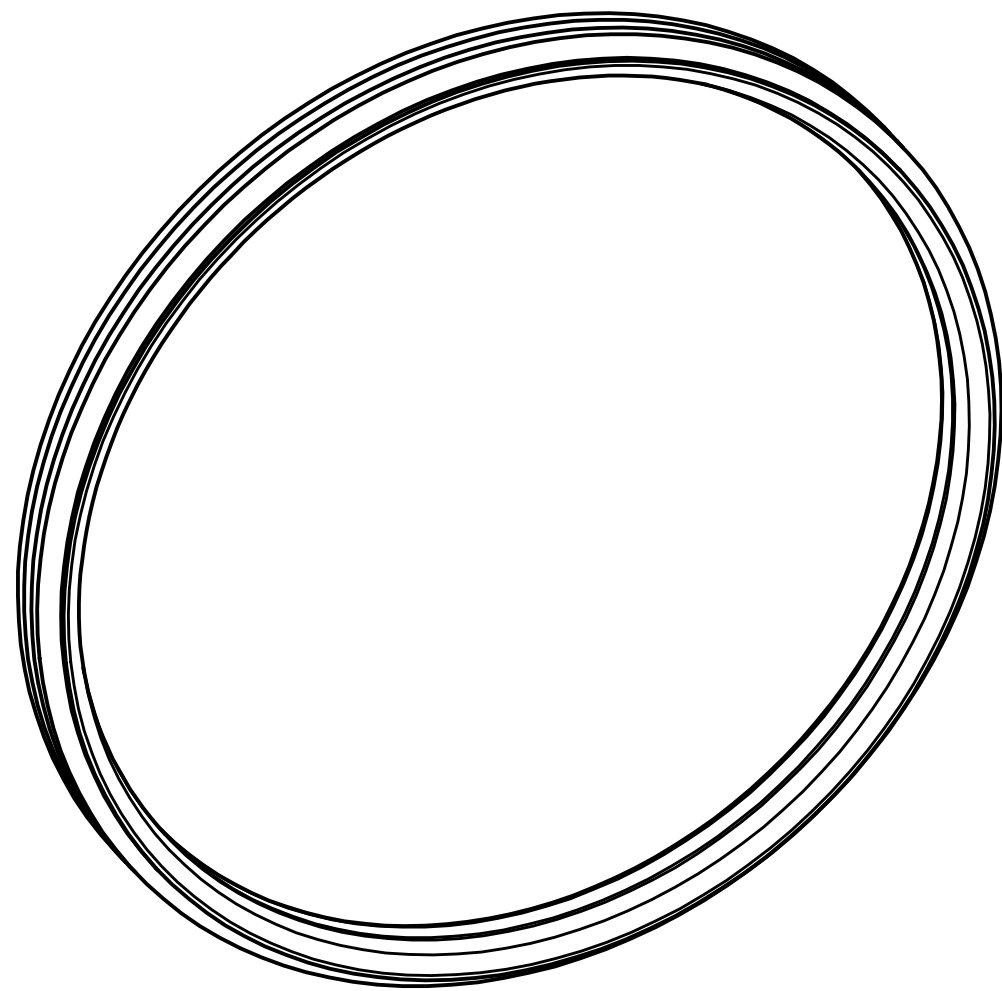
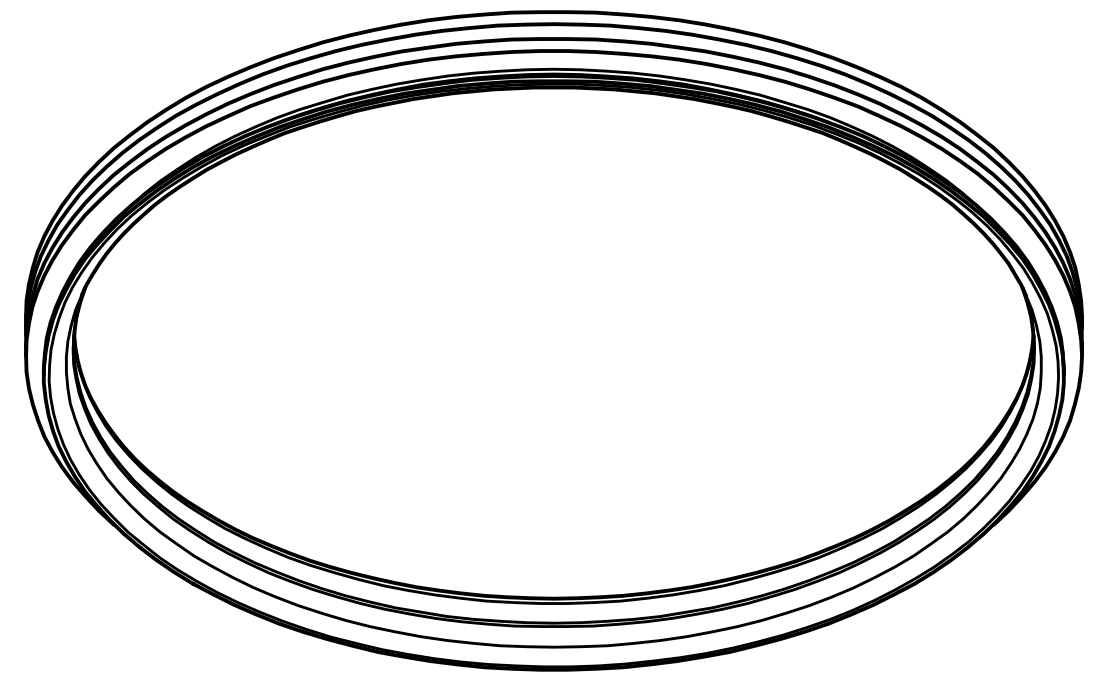
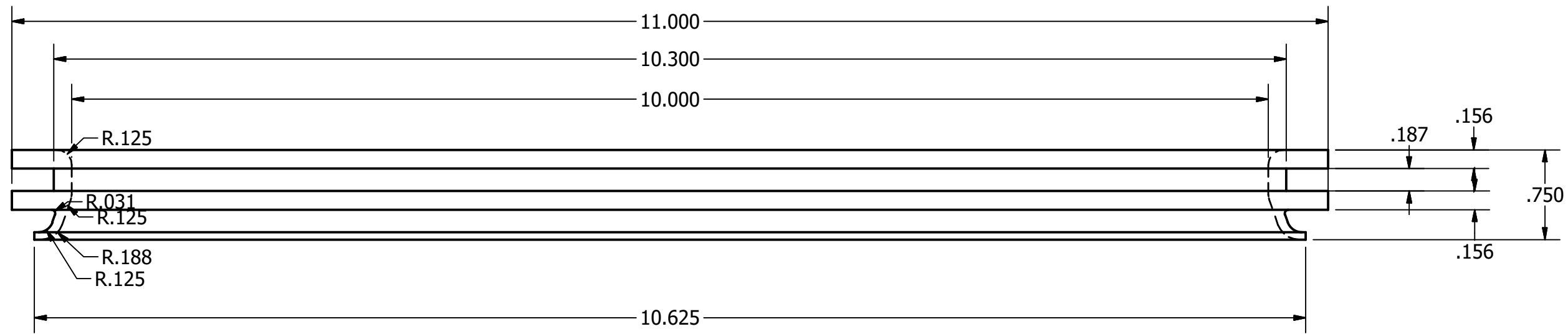
DRAWN shardy	7/21/2011	ROBERT H. WAGER CO.		
CHECKED		TITLE		
QA		5-1700 SEAT		
MFG		SIZE	DWG NO	REV
APPROVED		C	SEAT-5B	
		SCALE	SHEET 1 OF 1	



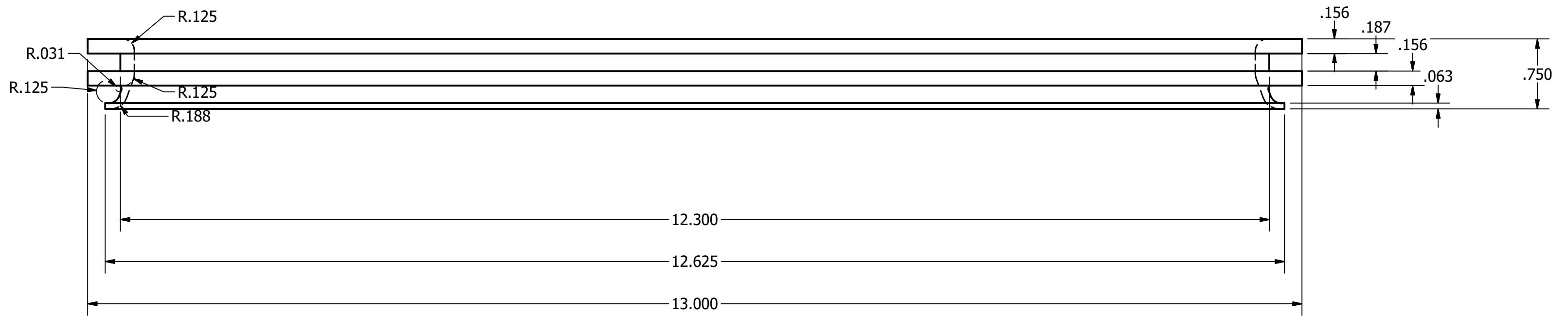
DRAWN shardy	7/21/2011	ROBERT H. WAGER CO.		
CHECKED		TITLE		
QA		6-1700 SEAT		
MFG		SIZE	DWG NO	REV
APPROVED		C	SEAT-6B	
		SCALE	SHEET 1 OF 1	



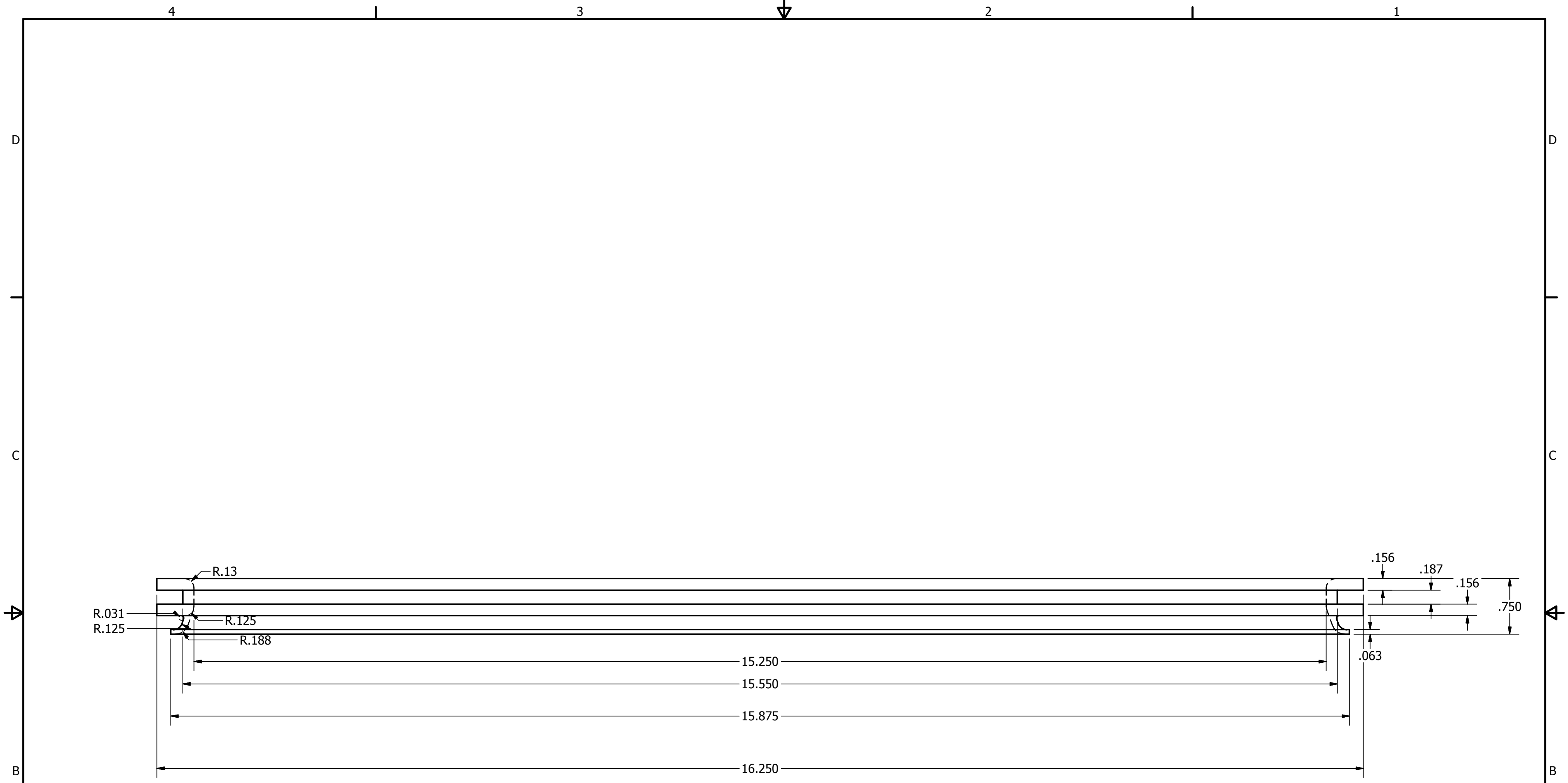
DRAWN shardy	7/21/2011	ROBERT H. WAGER CO.		
CHECKED		TITLE		
QA		8-1700 SEAT		
MFG		SIZE	DWG NO	REV
APPROVED		C	SEAT-8B	
		SCALE	SHEET 1 OF 1	



DRAWN shardy	7/20/2011	ROBERT H. WAGER CO.		
CHECKED		TITLE		
QA		10-1700 SEAT		
MFG				
APPROVED				
		SIZE C	DWG NO SEAT-10B	REV
		SCALE	SHEET 1 OF 1	



DRAWN shardy	7/20/2011	ROBERT H. WAGER CO.		
CHECKED				
QA		12-1700 RUBBER SEAT		
MFG				
APPROVED		SIZE	DWG NO	REV
		C	SEAT-12B	
		SCALE	SHEET 1 OF 1	



DRAWN shardy	7/20/2011	ROBERT H. WAGER CO.		
CHECKED				
QA		16-1700 RUBBER SEAT		
MFG				
APPROVED				
		SIZE C	DWG NO SEAT-16B	REV
		SCALE	SHEET 1 OF 1	