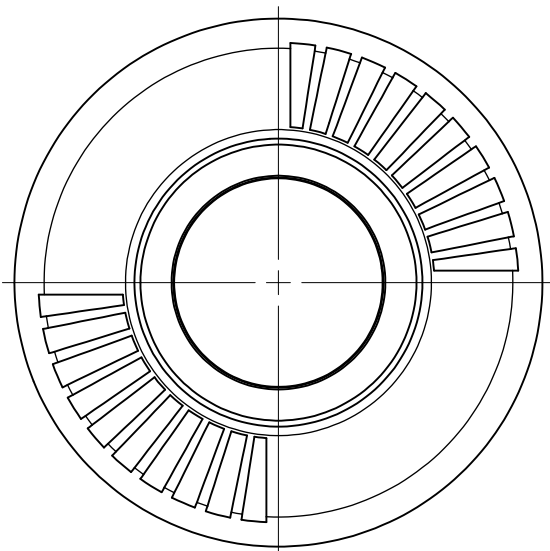


SECTION C-C  
SCALE 1 : 1



MATERIAL - MINERAL REINFORCED NYLON

PARTS LIST			
ITEM	QTY	PART NUMBER	DESCRIPTION
1	1	2100-1	CONNITION
2	1	2100-2	MAIN HOUSING
3	1	2100-3	CAP
4	1	SEAT-2N-I	SEAT
5	1	FLT-3P	FLOAT

DRAWN jledbetter	3/12/2010	ROBERT H. WAGER CO., INC.	
CHECKED		TITLE	
QA		Sewer Vent - 2100 Series	
MFG		SIZE C	DWG NO 2-2100T
APPROVED		SCALE	REV
			SHEET 1 OF 1